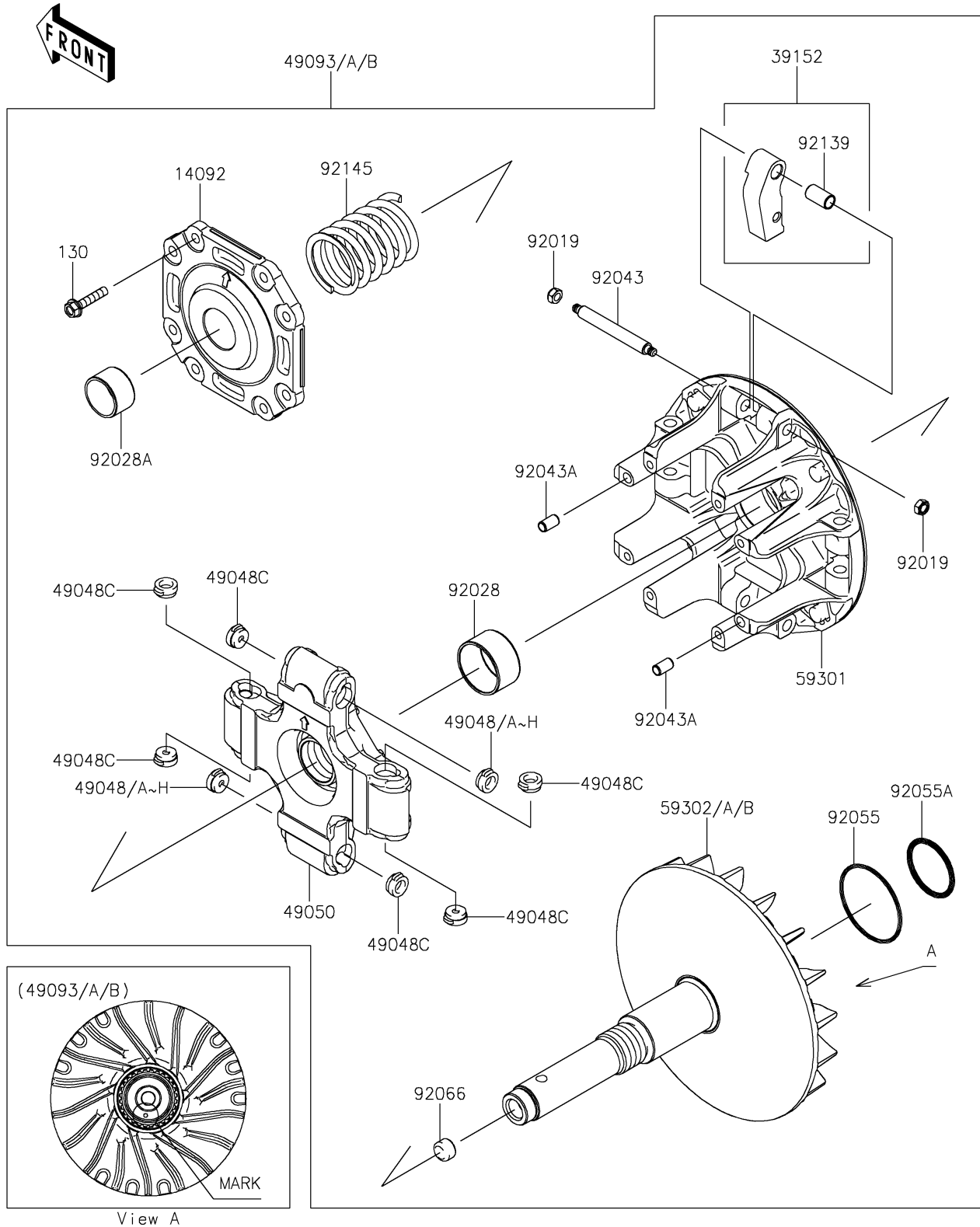


2019 MULE PRO-FXT™ RANCH EDITION

PARTS DIAGRAM

Drive Converter

E1391



2019 MULE PRO-FXT™ RANCH EDITION



PARTS LIST

Drive Converter

ITEM NAME	PART NUMBER	QUANTITY
-----------	-------------	----------
