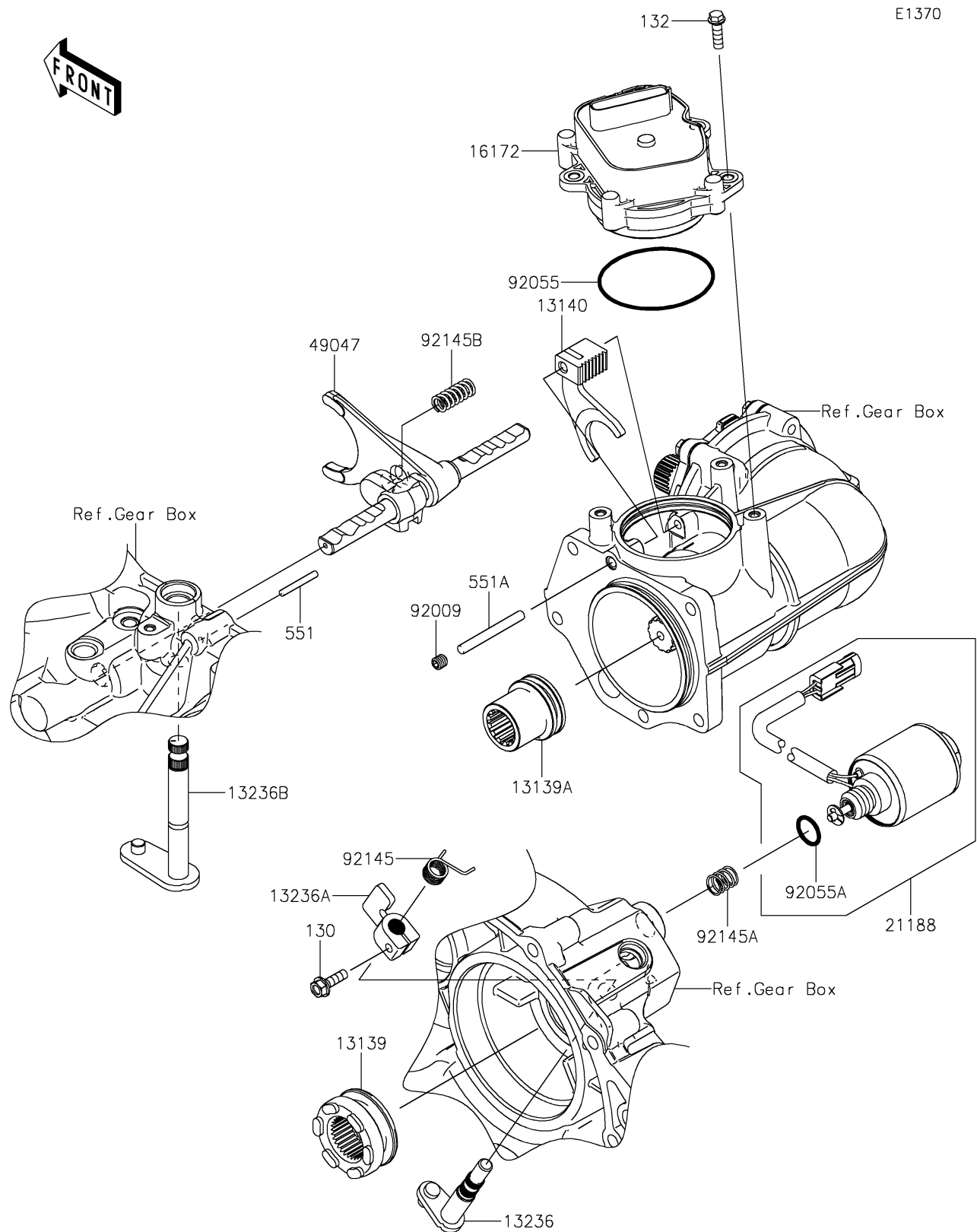


2020 MULE PRO-FXT™ RANCH EDITION

PARTS DIAGRAM

Gear Change Mechanism



2020 MULE PRO-FXT™ RANCH EDITION



PARTS LIST

Gear Change Mechanism

ITEM NAME	PART NUMBER	QUANTITY
-----------	-------------	----------
