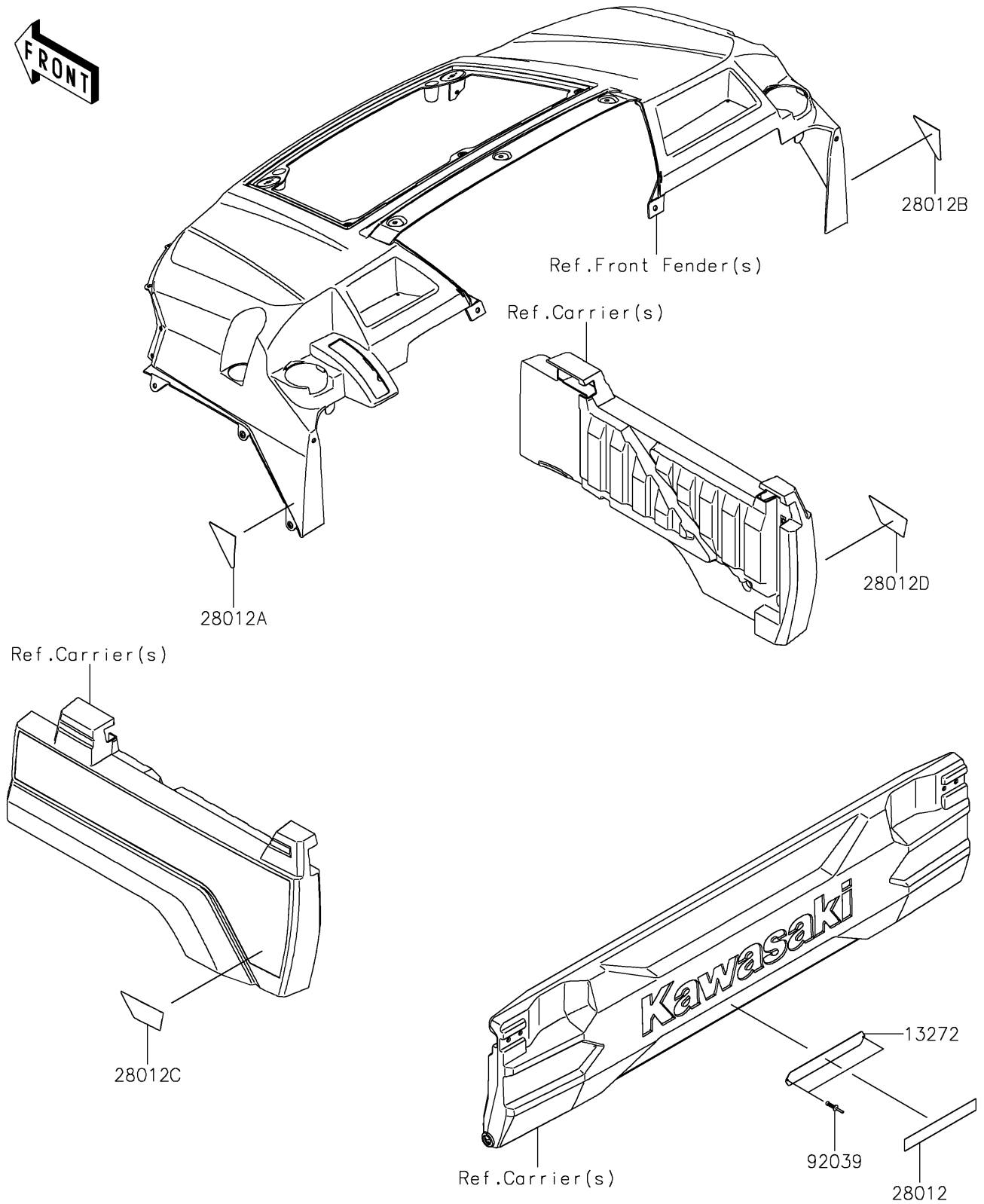


2019 MULE PRO-FXT™ EPS LE

PARTS DIAGRAM

Reflectors(CN)

F2790



2019 MULE PRO-FXT™ EPS LE

PARTS LIST Reflectors(CN)

ITEM NAME	PART NUMBER	QUANTITY
-----------	-------------	----------
