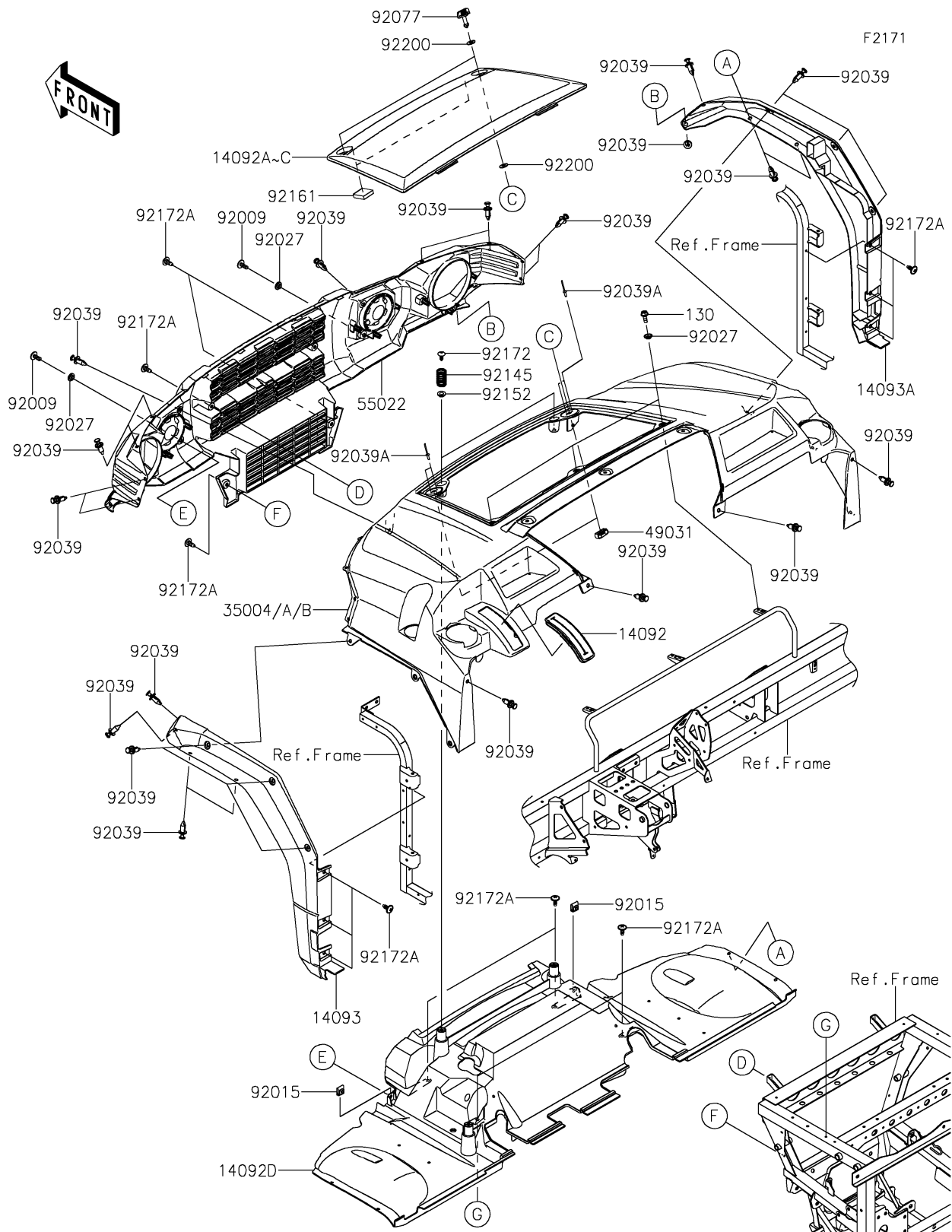


2019 MULE PRO-FXT™ EPS

PARTS DIAGRAM

Front Fender(s)



2019 MULE PRO-FXT™ EPS

PARTS LIST

Front Fender(s)

ITEM NAME	PART NUMBER	QUANTITY
-----------	-------------	----------
