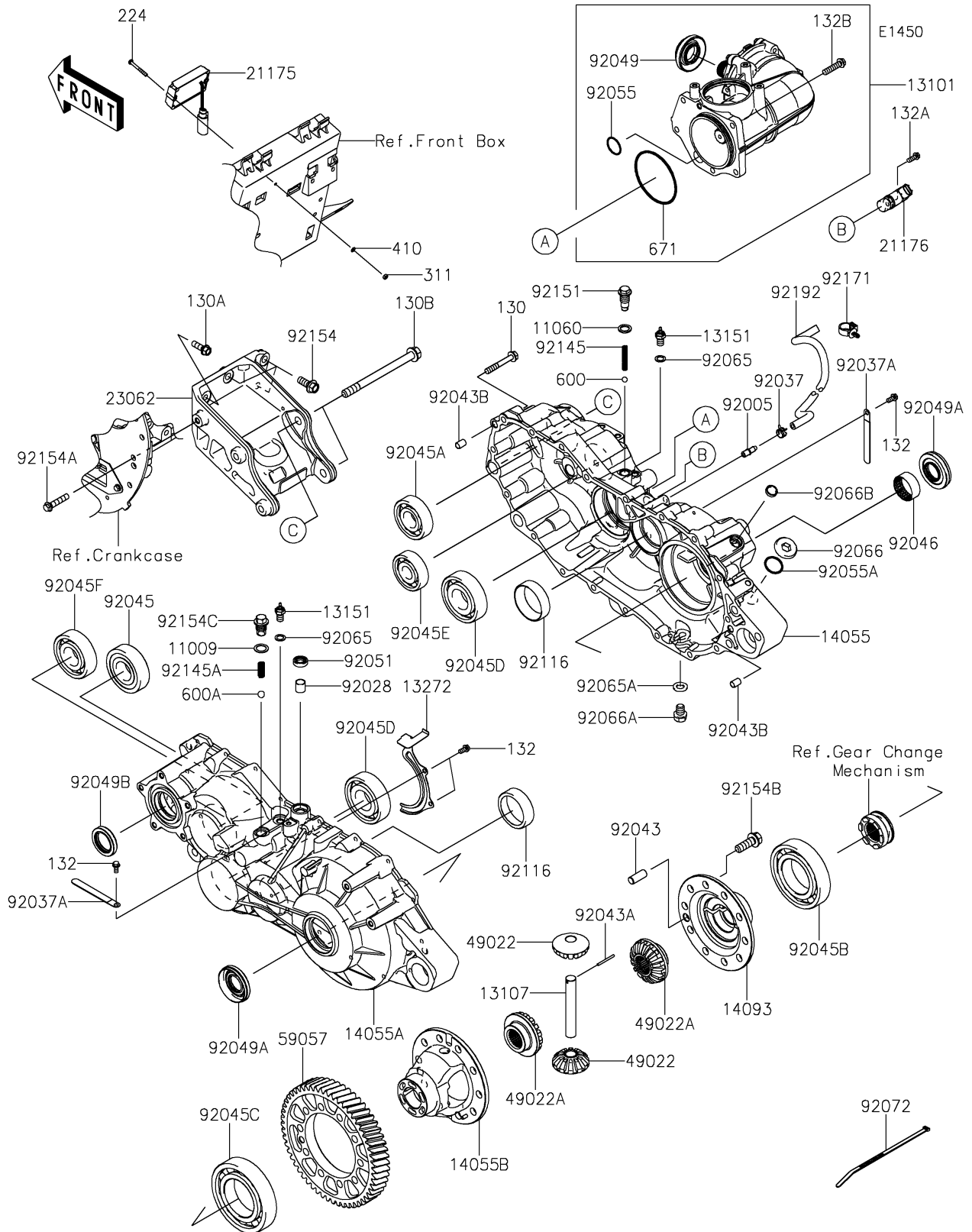


# 2019 MULE PRO-FXT™

## PARTS DIAGRAM

### Gear Box



# 2019 MULE PRO-FXT™

## PARTS LIST

### Gear Box

**ITEM NAME**

**PART NUMBER**

**QUANTITY**

---