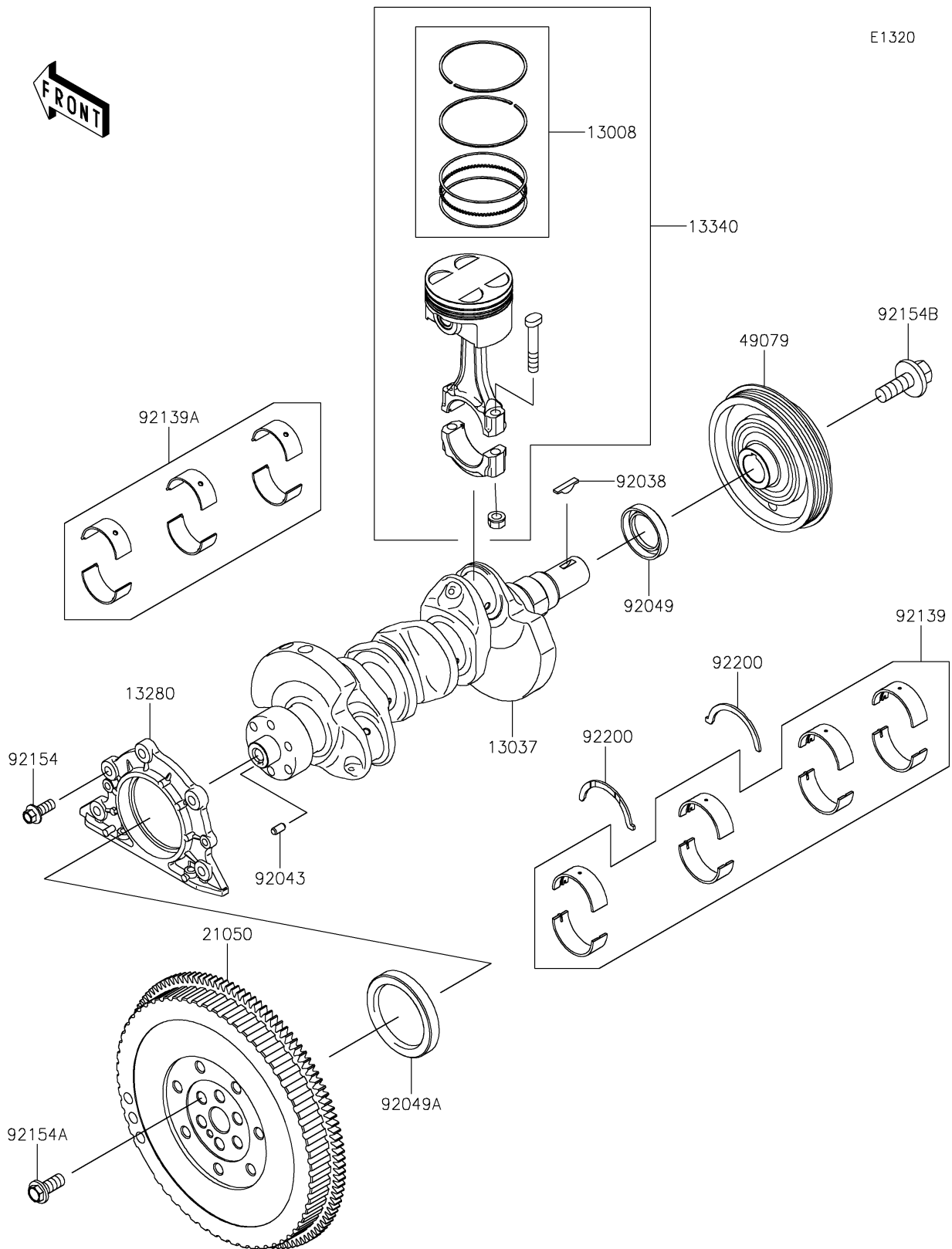


2019 MULE PRO-FXT™

PARTS DIAGRAM Crankshaft/Piston(s)



2019 MULE PRO-FXT™

PARTS LIST

Crankshaft/Piston(s)

ITEM NAME

PART NUMBER

QUANTITY
