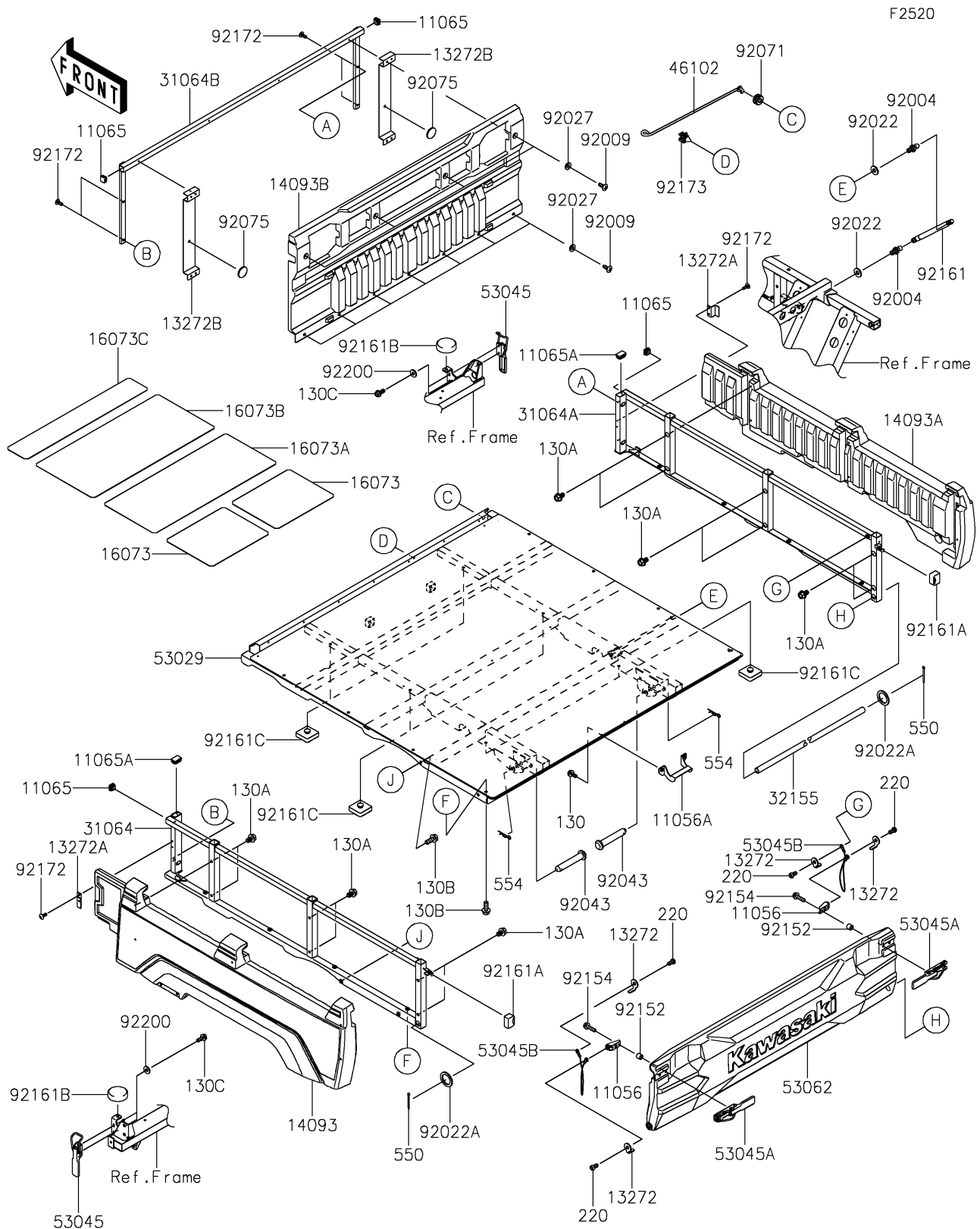


# 2018 MULE PRO-DX™ EPS DIESEL

## PARTS DIAGRAM

Carrier(s)



# 2018 MULE PRO-DX™ EPS DIESEL



## PARTS LIST

Carrier(s)

ITEM NAME	PART NUMBER	QUANTITY
-----------	-------------	----------

---