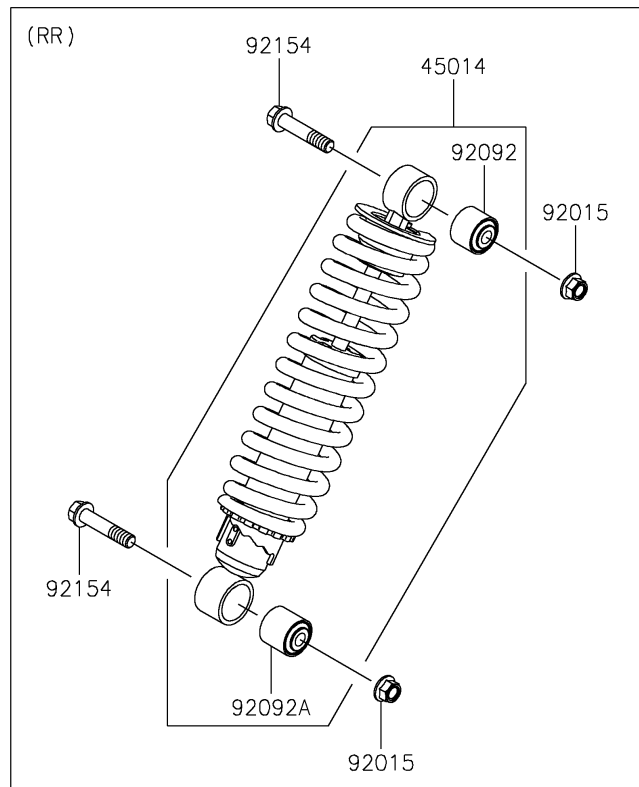
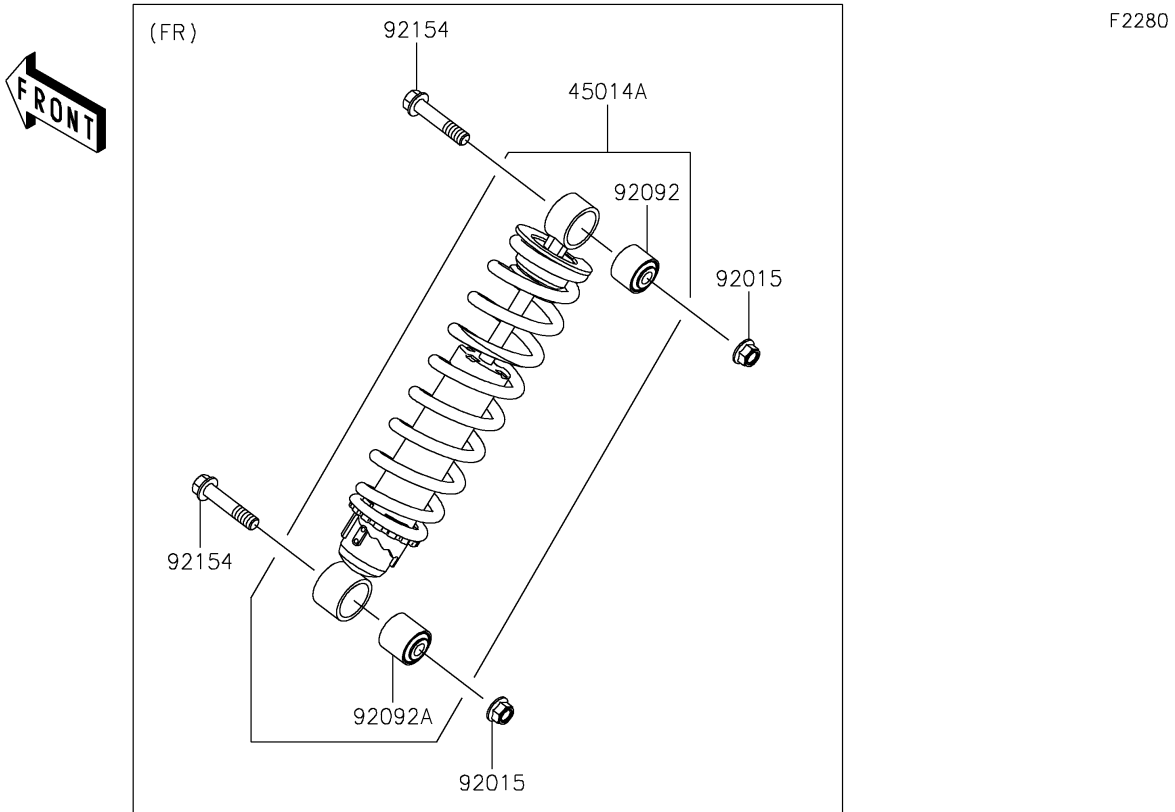


# 2020 MULE PRO-DX™ EPS DIESEL

## PARTS DIAGRAM

### Shock Absorber(s)



# 2020 MULE PRO-DX™ EPS DIESEL



## PARTS LIST

Shock Absorber(s)

ITEM NAME	PART NUMBER	QUANTITY
-----------	-------------	----------

---