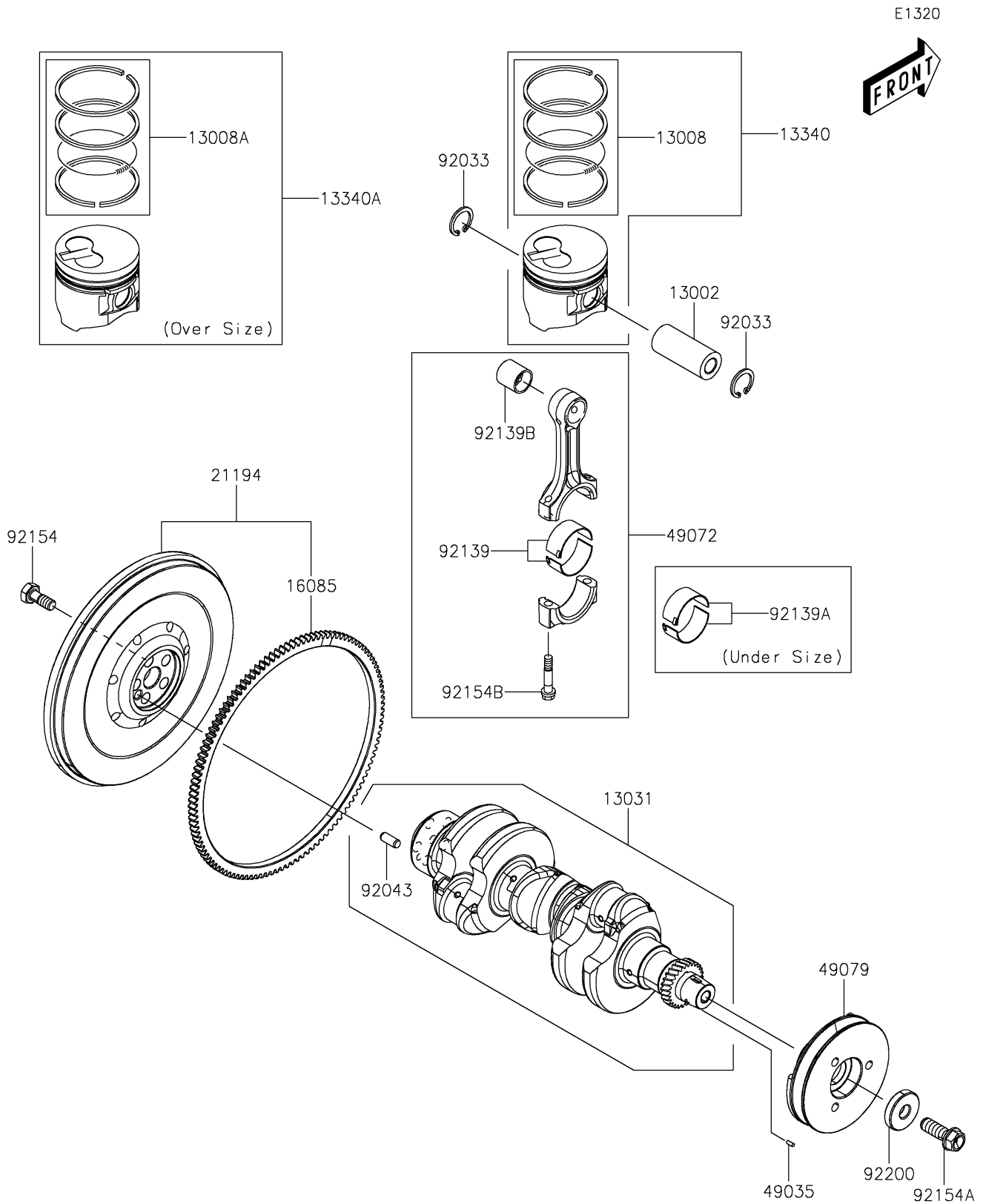


# 2018 MULE PRO-DX™ EPS DIESEL

## PARTS DIAGRAM Crankshaft/Piston(s)



# 2018 MULE PRO-DX™ EPS DIESEL



## PARTS LIST

### Crankshaft/Piston(s)

ITEM NAME	PART NUMBER	QUANTITY
-----------	-------------	----------

---