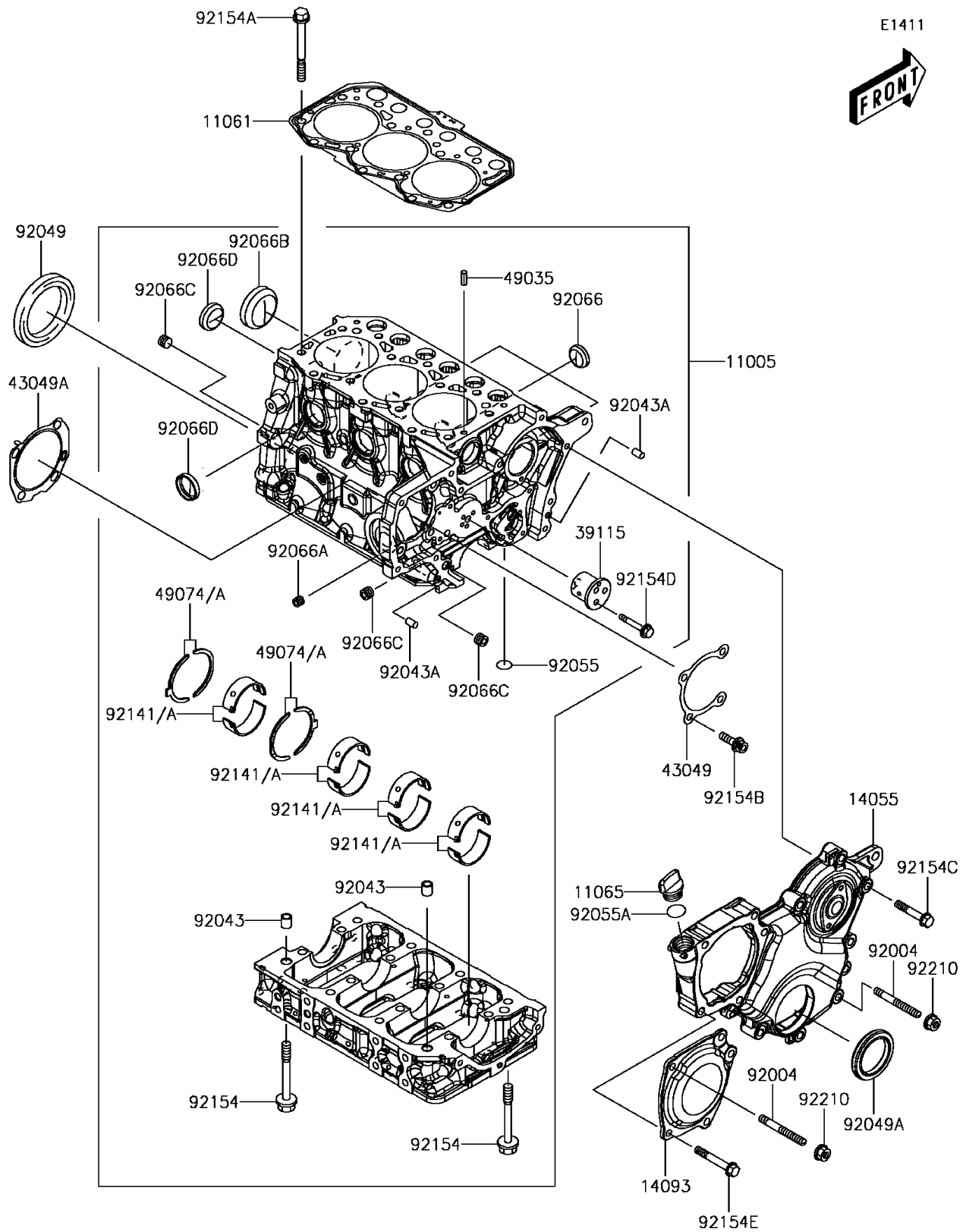


# 2017 MULE PRO-DXT™ EPS LE DIESEL

## PARTS DIAGRAM

### Crankcase



# 2017 MULE PRO-DXT™ EPS LE DIESEL



## PARTS LIST

### Crankcase

ITEM NAME	PART NUMBER	QUANTITY
-----------	-------------	----------

---