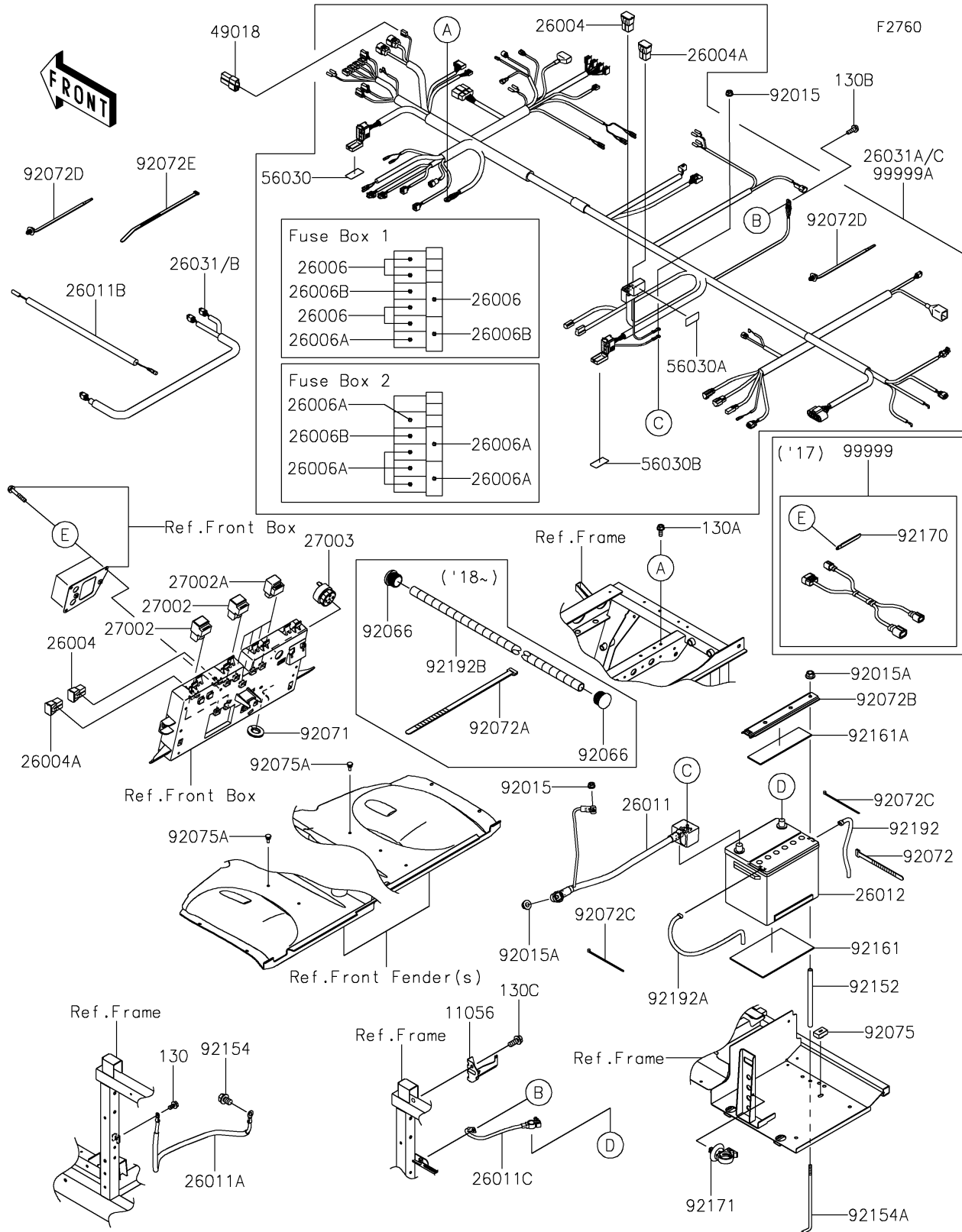


2019 MULE PRO-DXT™ EPS DIESEL

PARTS DIAGRAM

Chassis Electrical Equipment



2019 MULE PRO-DXT™ EPS DIESEL



PARTS LIST

Chassis Electrical Equipment

ITEM NAME	PART NUMBER	QUANTITY
-----------	-------------	----------
