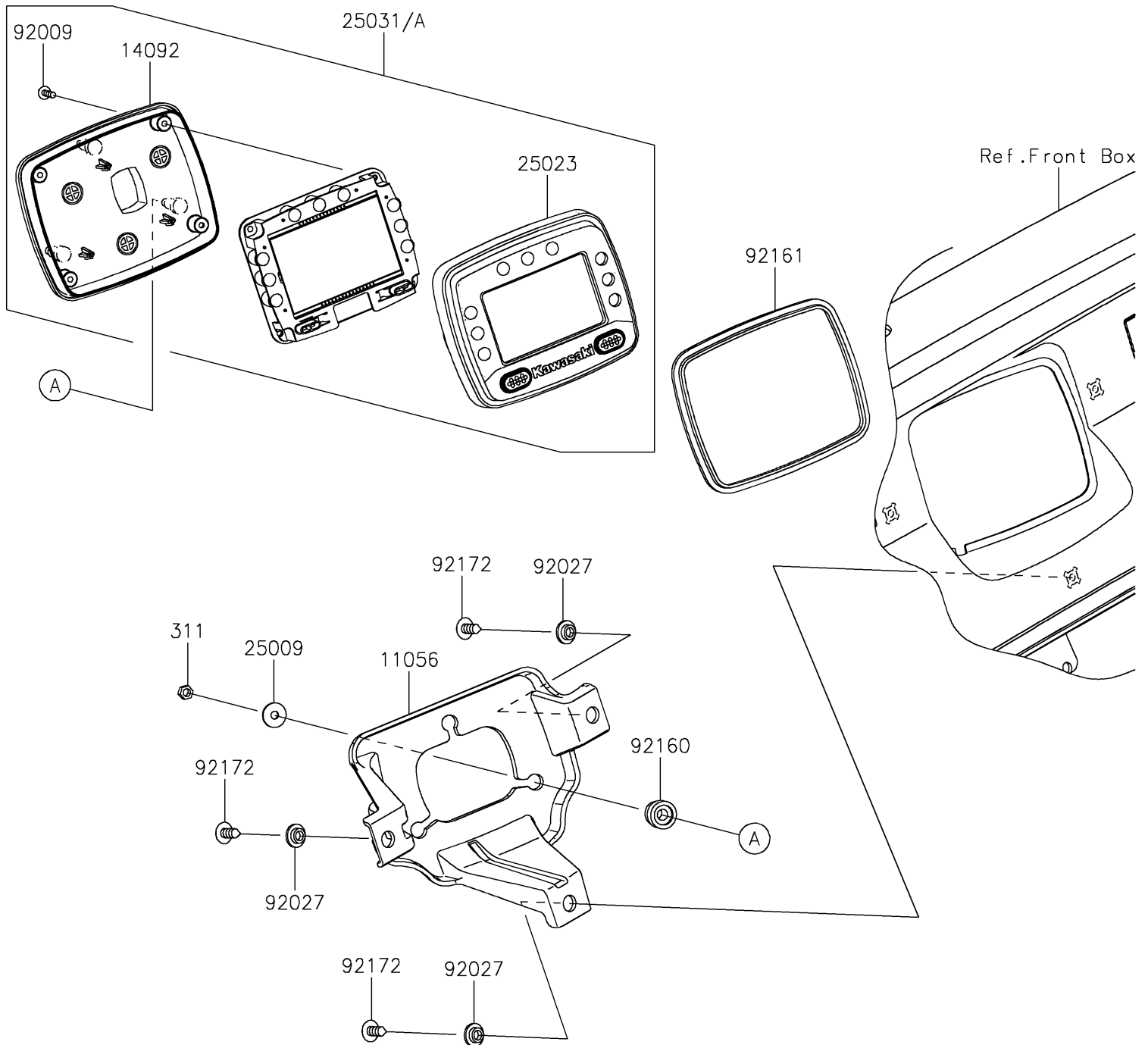


# 2018 MULE PRO-DXT™ EPS DIESEL

## PARTS DIAGRAM

Meter(s)

F2530



# 2018 MULE PRO-DXT™ EPS DIESEL



## PARTS LIST

Meter(s)

ITEM NAME	PART NUMBER	QUANTITY
-----------	-------------	----------

---