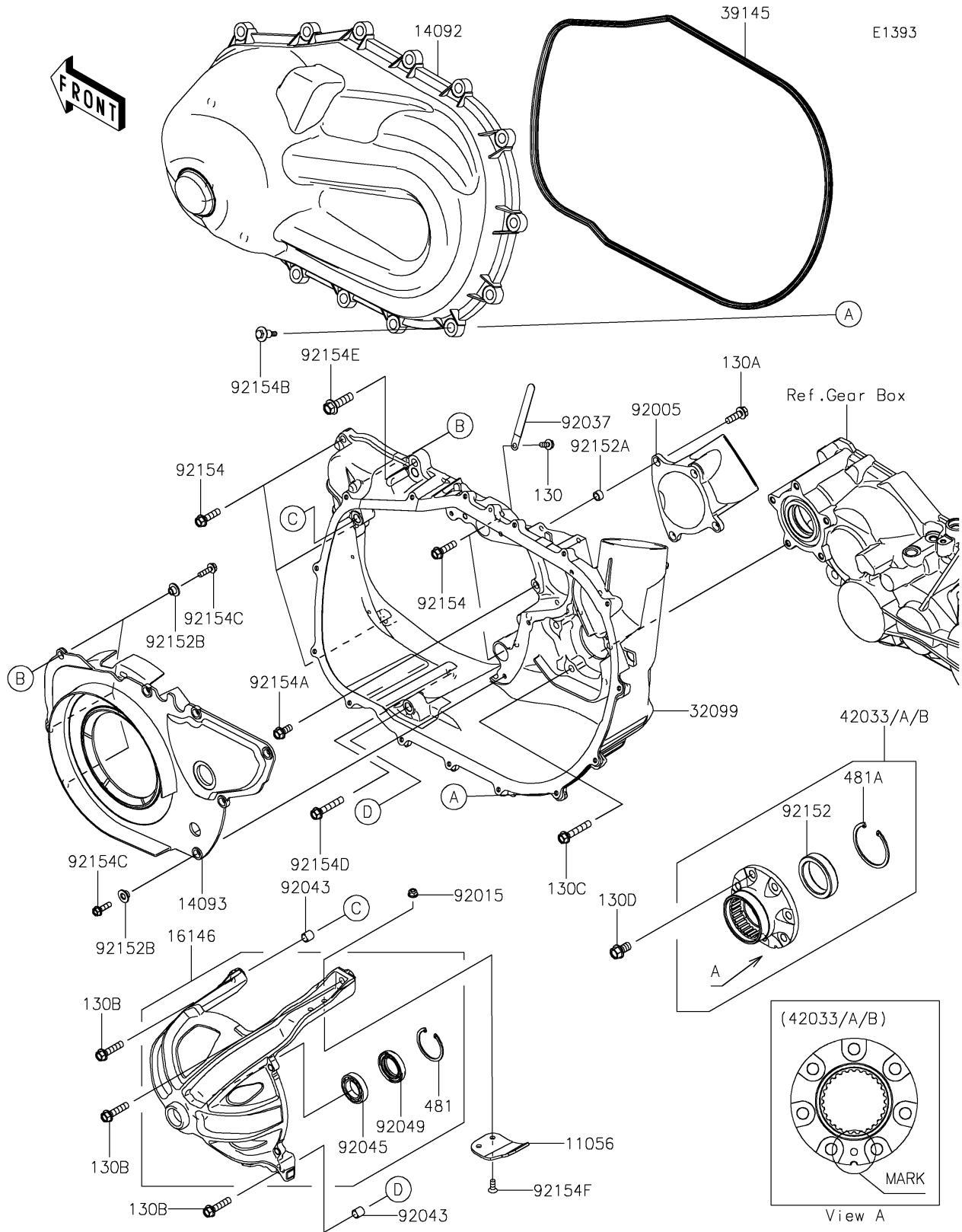


# 2018 MULE PRO-DXT™ DIESEL

## PARTS DIAGRAM

### Converter Cover



# 2018 MULE PRO-DXT™ DIESEL

## PARTS LIST

### Converter Cover

ITEM NAME	PART NUMBER	QUANTITY
-----------	-------------	----------

---