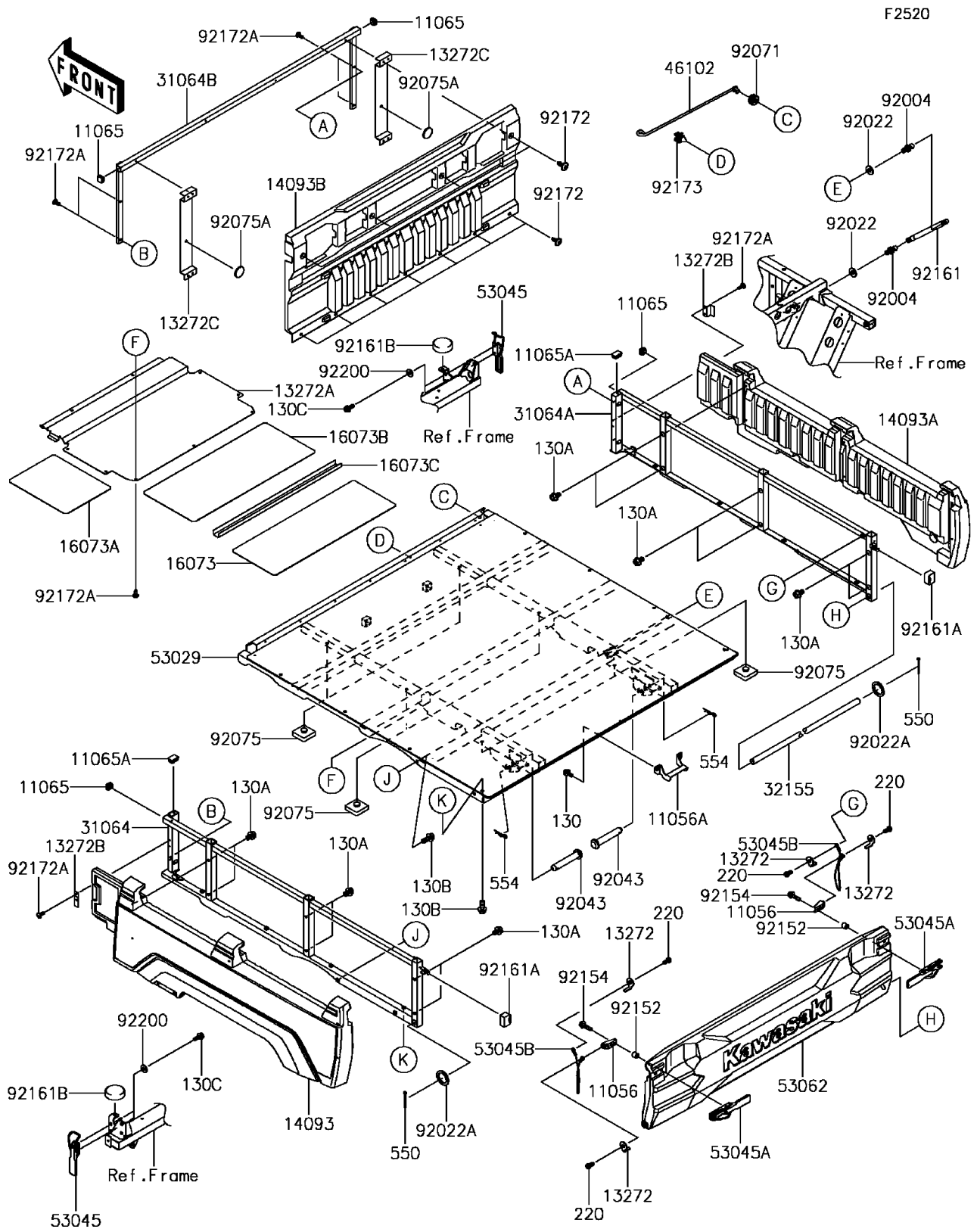


# 2017 MULE PRO-FX™ EPS CAMO

## PARTS DIAGRAM

Carrier(s)



# 2017 MULE PRO-FX™ EPS CAMO

## PARTS LIST

Carrier(s)

**ITEM NAME**

**PART NUMBER**

**QUANTITY**

---