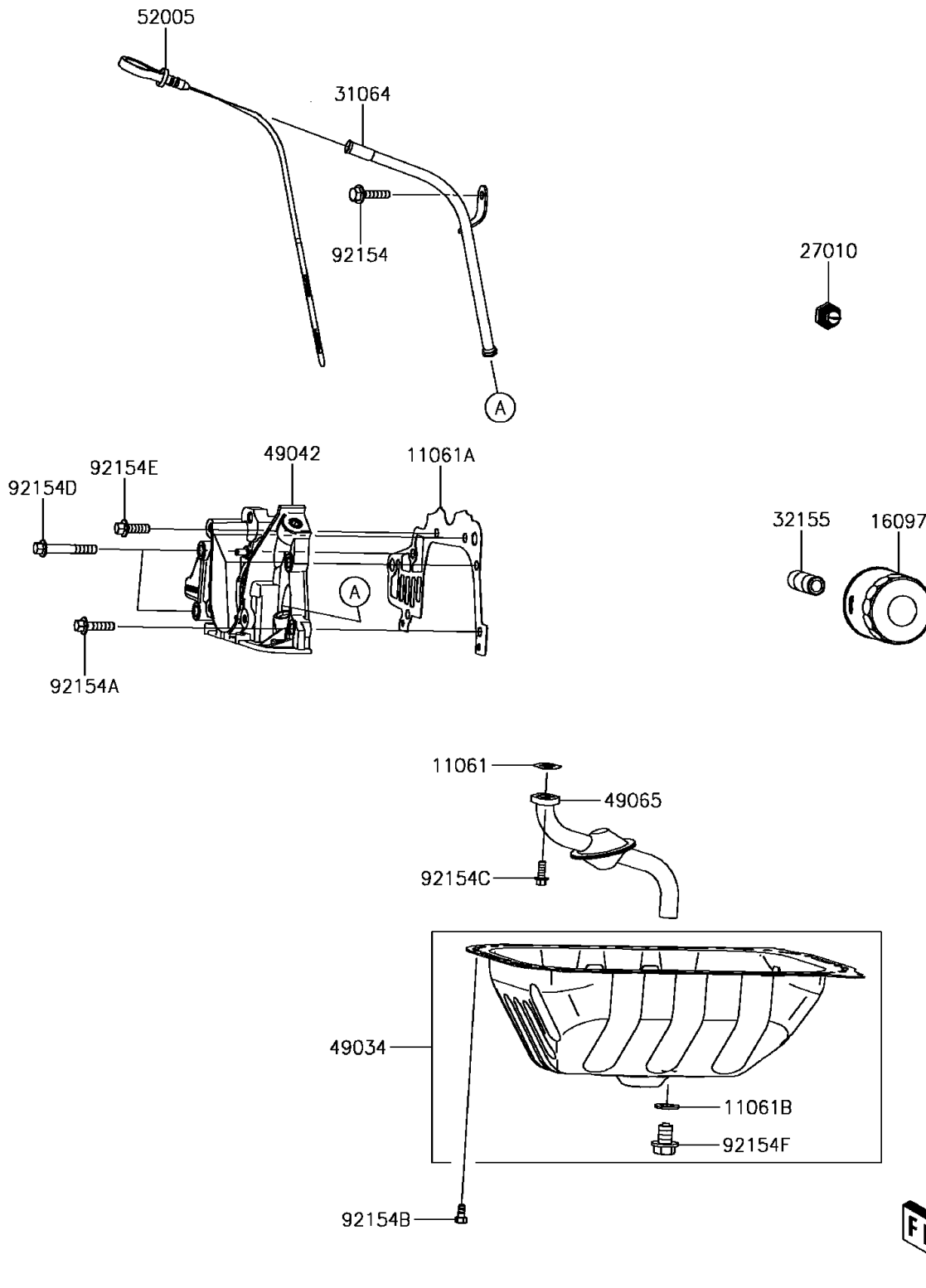


# 2017 MULE PRO-FX™ EPS CAMO

## PARTS DIAGRAM

### Oil Pump/Oil Filter

E1710



# 2017 MULE PRO-FX™ EPS CAMO

## PARTS LIST

### Oil Pump/Oil Filter

ITEM NAME	PART NUMBER	QUANTITY
-----------	-------------	----------

---