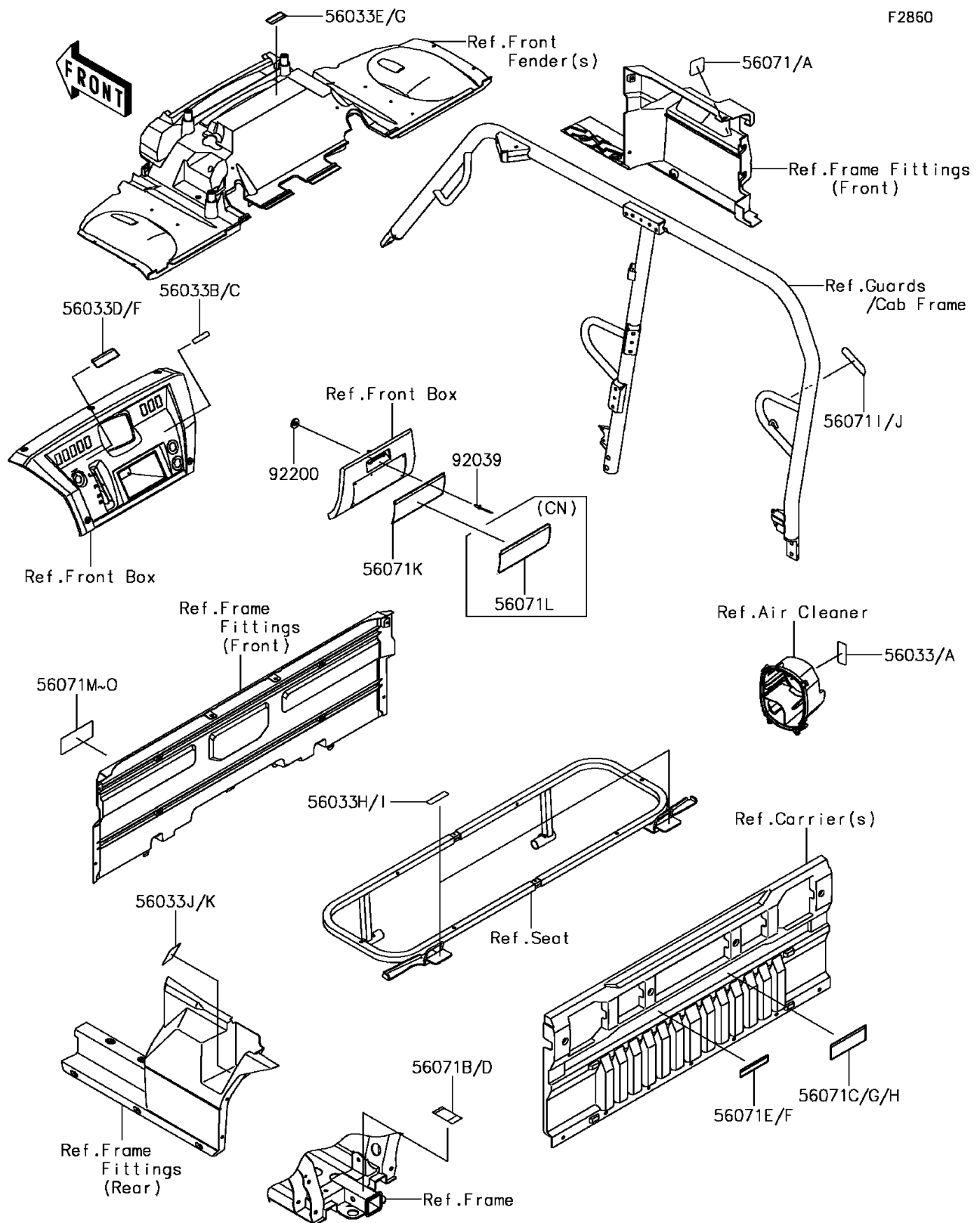


# 2017 Mule PRO-FXT EPS

## PARTS DIAGRAM

### Labels



# 2017 Mule PRO-FXT EPS

## PARTS LIST

### Labels

**ITEM NAME**

**PART NUMBER**

**QUANTITY**

---