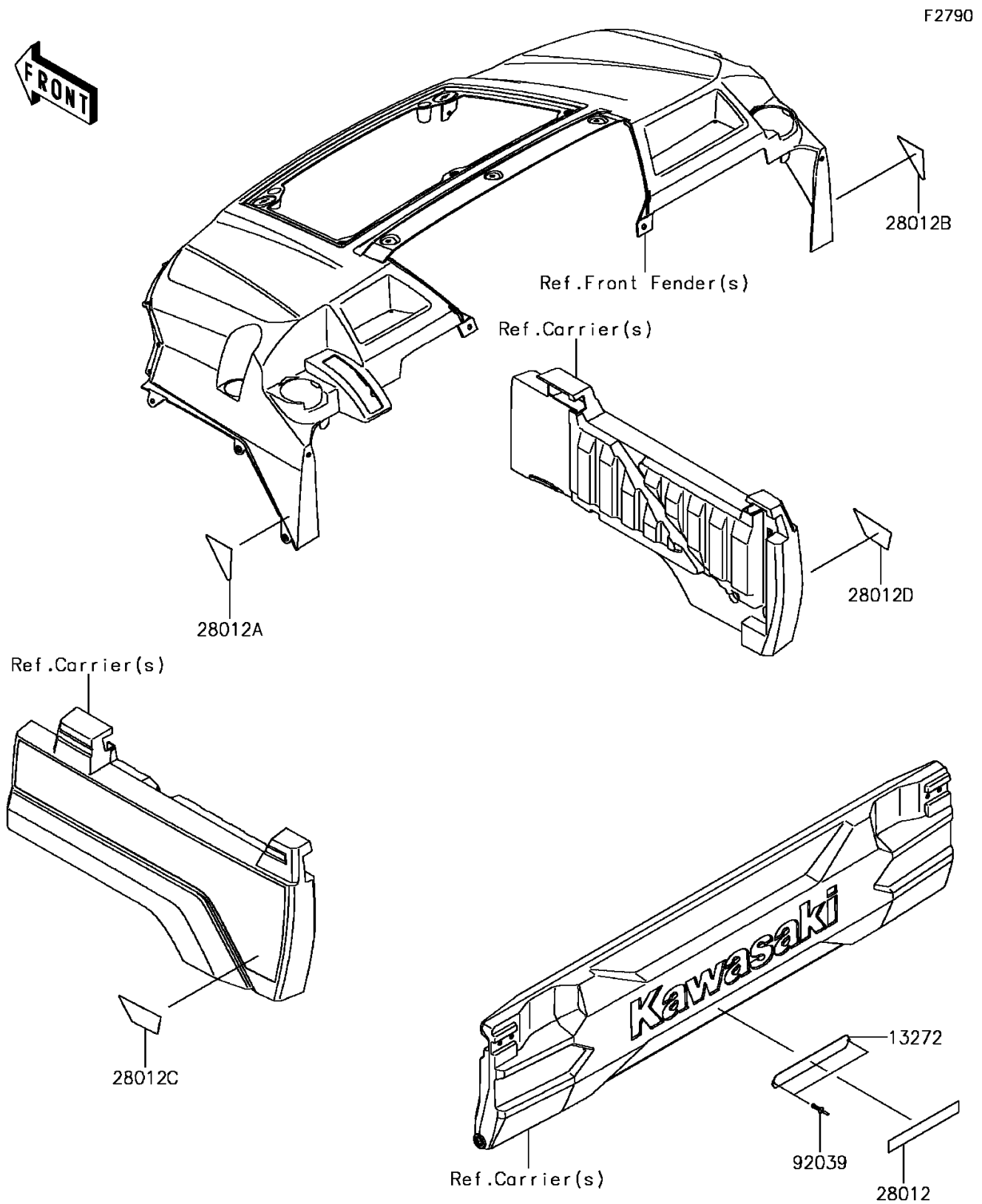


2017 Mule PRO-FXT EPS

PARTS DIAGRAM

Reflectors(CN)



2017 Mule PRO-FXT EPS

PARTS LIST Reflectors(CN)

ITEM NAME	PART NUMBER	QUANTITY
-----------	-------------	----------
