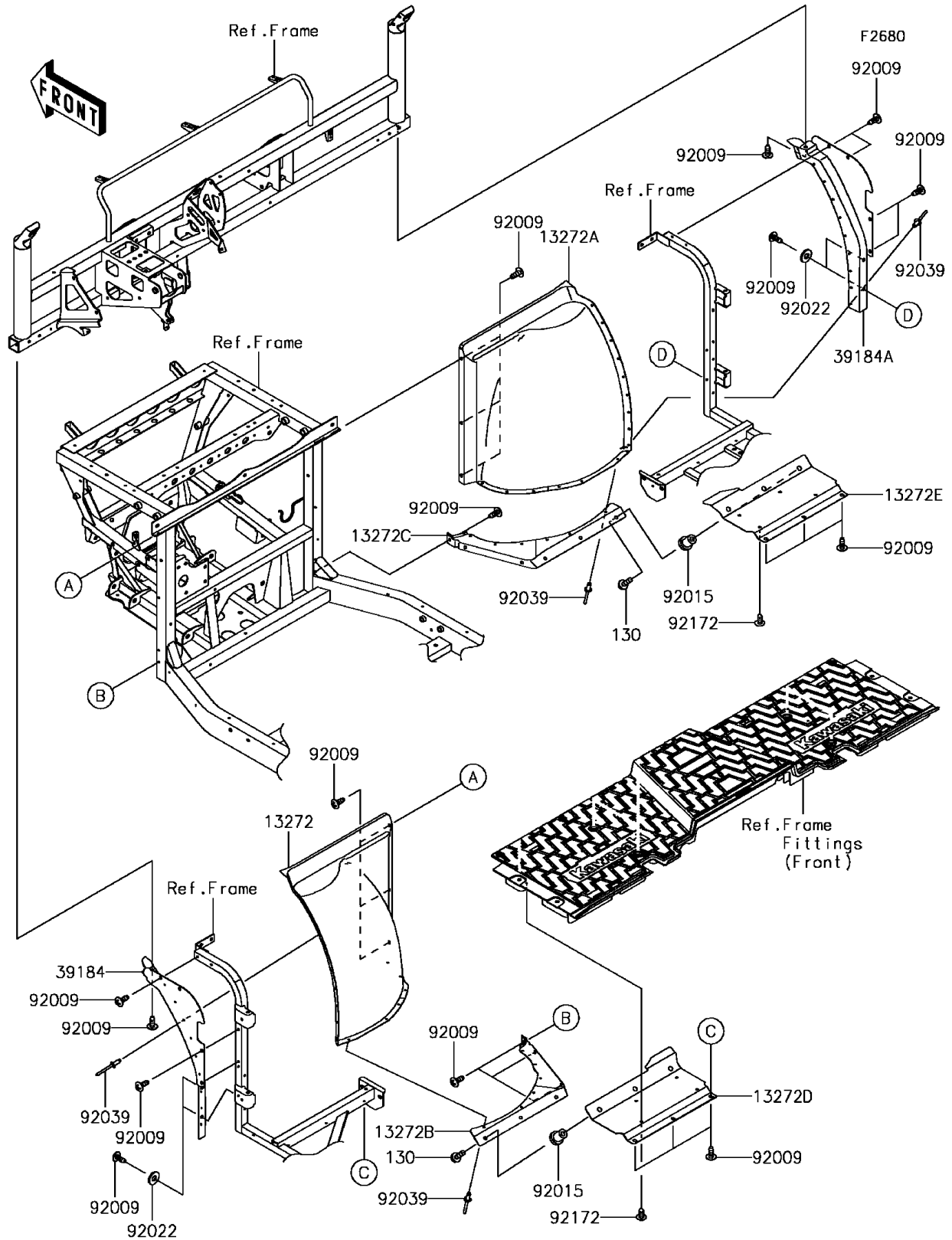


# 2017 Mule PRO-FXT EPS

## PARTS DIAGRAM

### Guard(s)



# 2017 Mule PRO-FXT EPS

## PARTS LIST

Guard(s)

**ITEM NAME**

**PART NUMBER**

**QUANTITY**

---