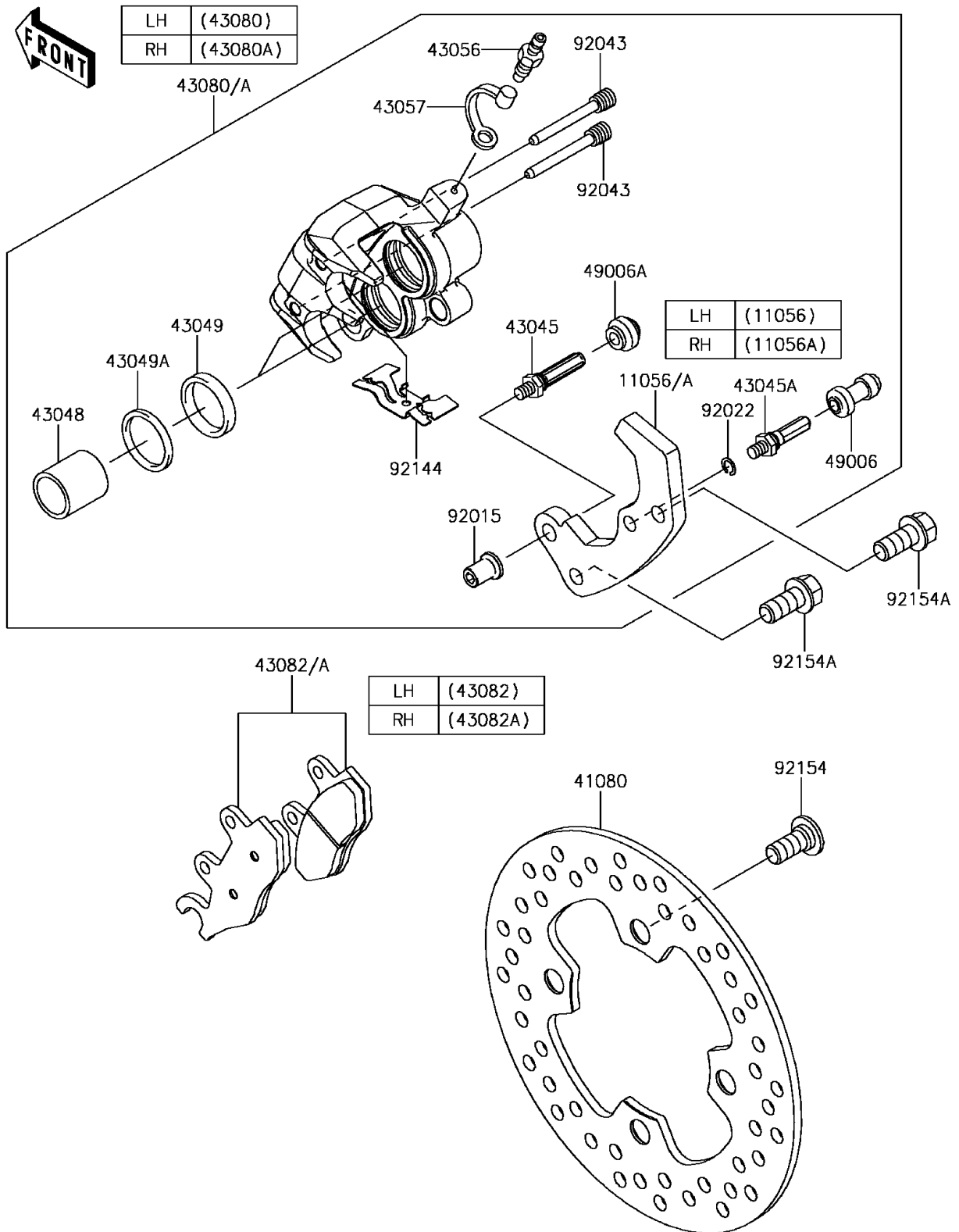


2017 Mule PRO-FXT EPS

PARTS DIAGRAM

Front Brake

F2292



2017 Mule PRO-FXT EPS

PARTS LIST

Front Brake

ITEM NAME

PART NUMBER

QUANTITY
