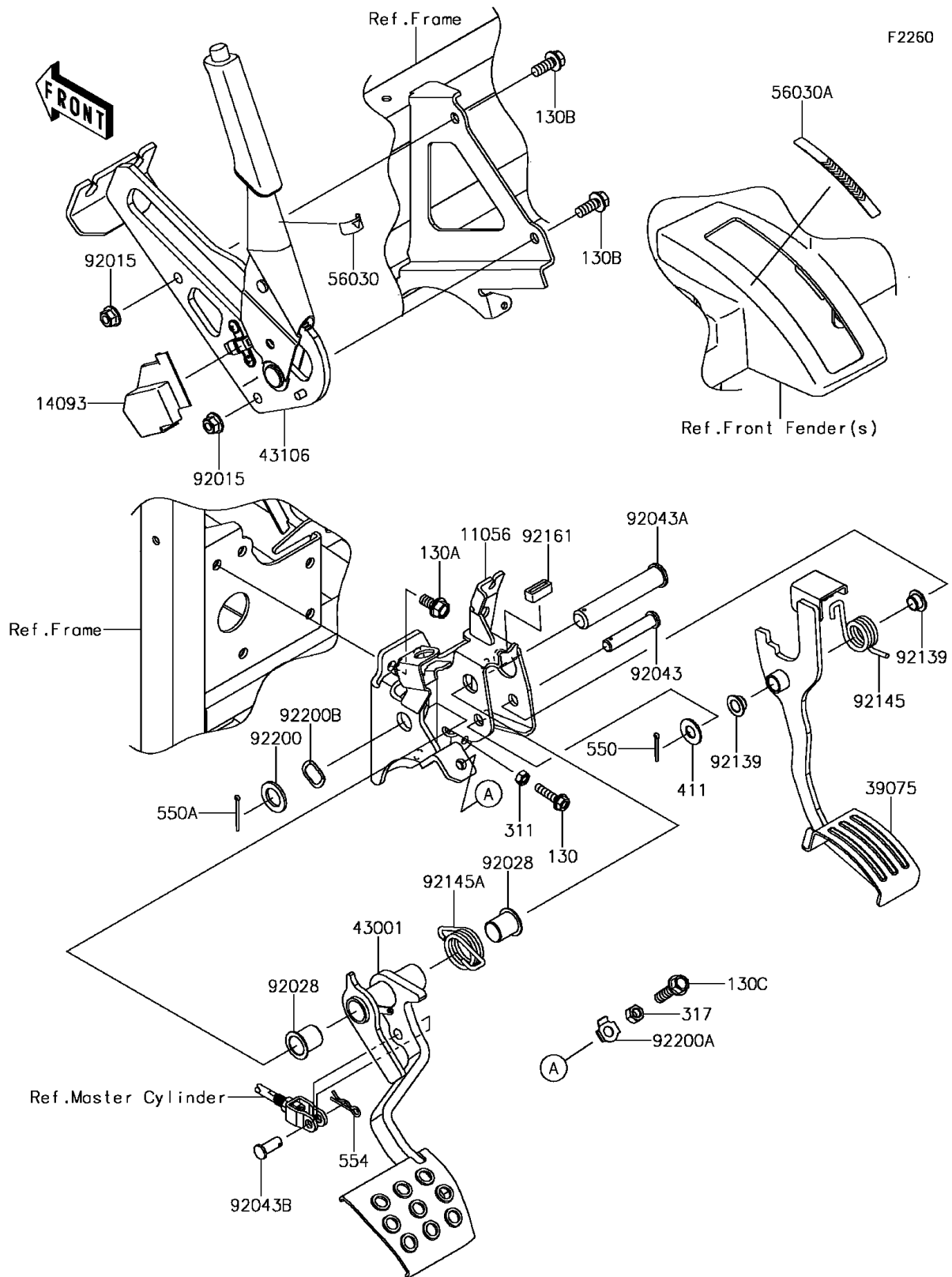


2017 Mule PRO-FXT EPS

PARTS DIAGRAM

Brake Pedal/Throttle Lever



2017 Mule PRO-FXT EPS

PARTS LIST

Brake Pedal/Throttle Lever

ITEM NAME

PART NUMBER

QUANTITY
