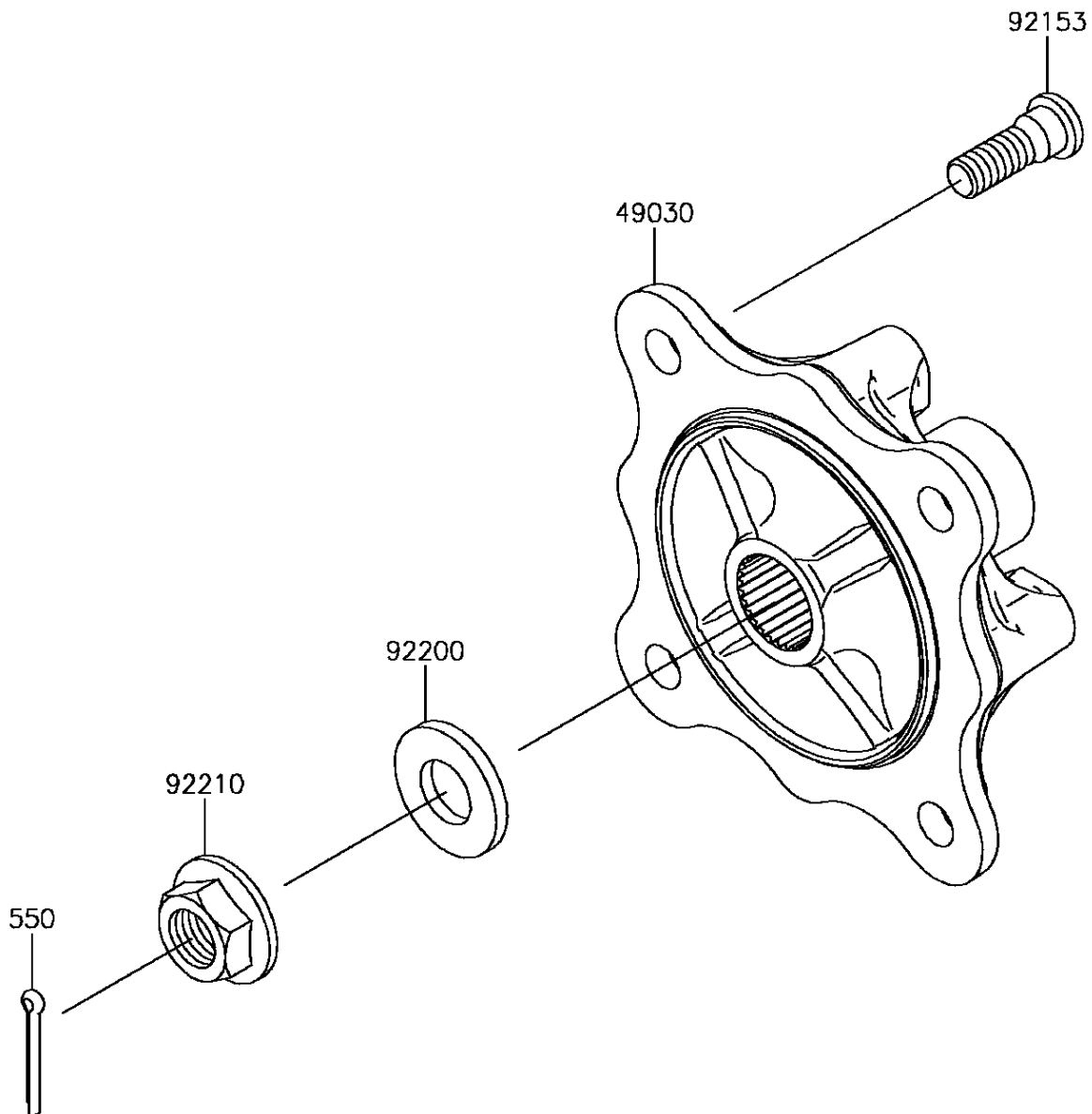


2017 Mule PRO-FXT EPS

PARTS DIAGRAM

Rear Hubs/Brakes

F2240



2017 Mule PRO-FXT EPS

PARTS LIST

Rear Hubs/Brakes

ITEM NAME

PART NUMBER

QUANTITY
