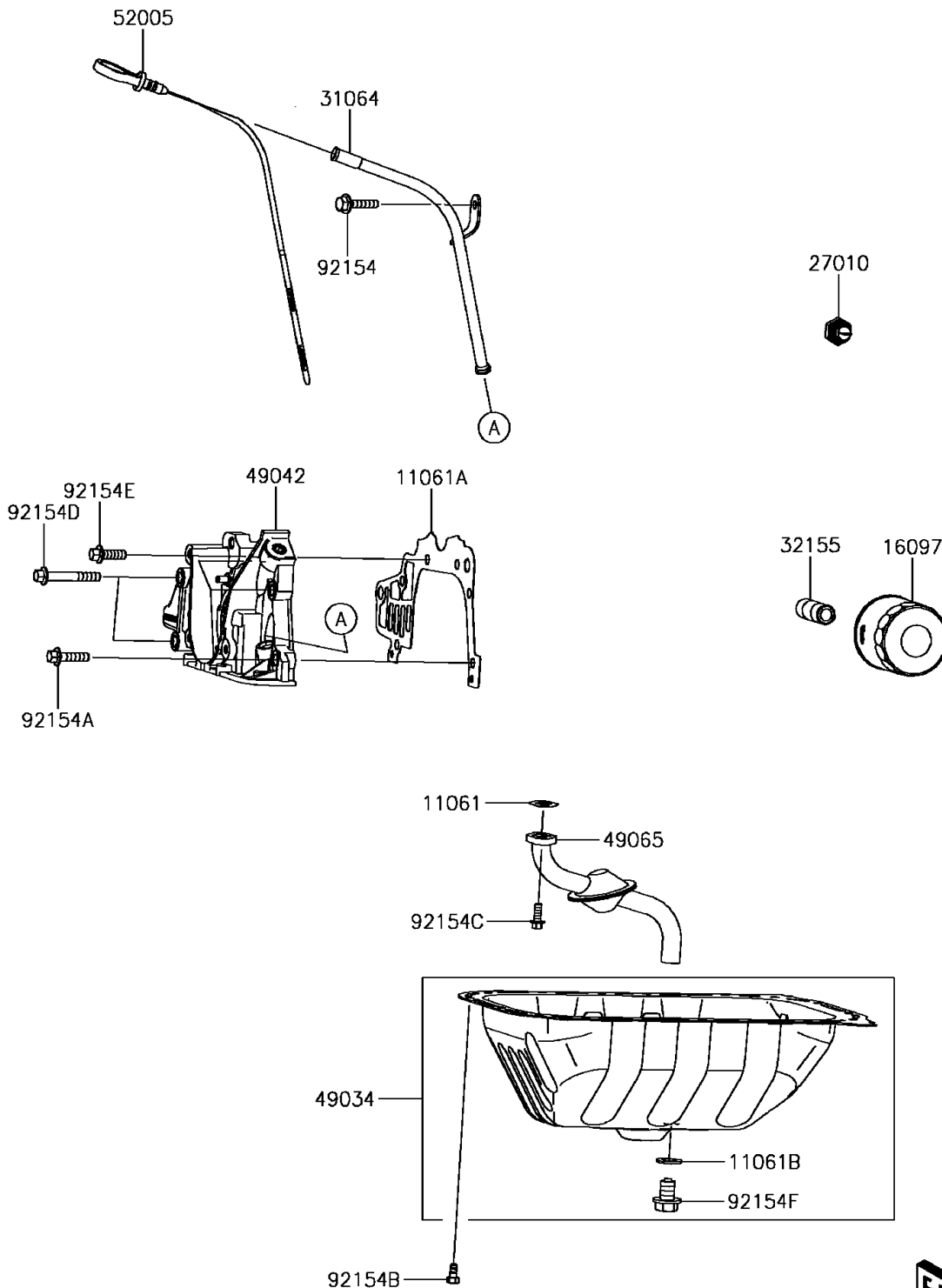


2017 Mule PRO-FXT EPS

PARTS DIAGRAM

Oil Pump/Oil Filter

E1710



2017 Mule PRO-FXT EPS

PARTS LIST

Oil Pump/Oil Filter

ITEM NAME

PART NUMBER

QUANTITY
