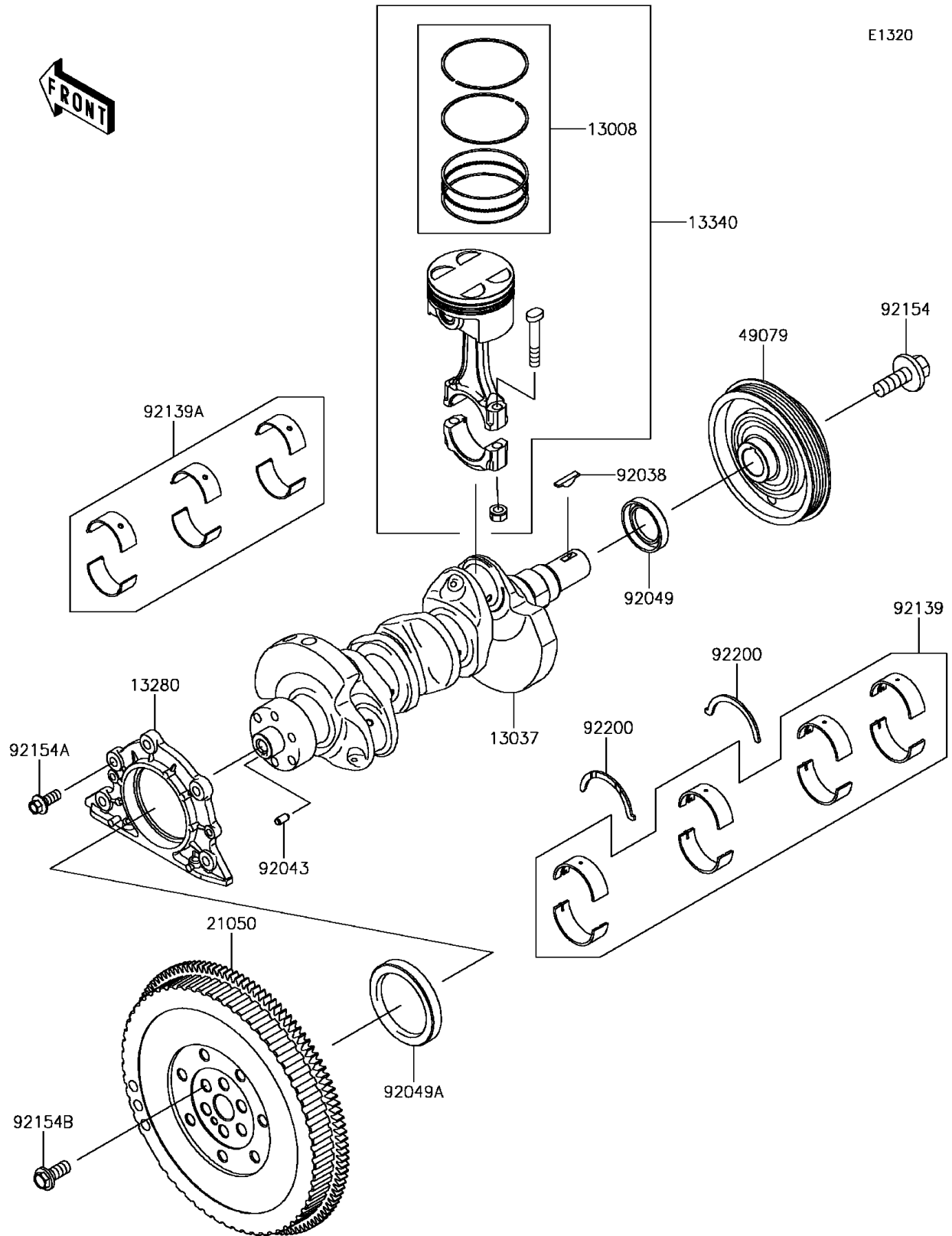


2017 Mule PRO-FXT EPS

PARTS DIAGRAM Crankshaft/Piston(s)



2017 Mule PRO-FXT EPS

PARTS LIST

Crankshaft/Piston(s)

ITEM NAME

PART NUMBER

QUANTITY
