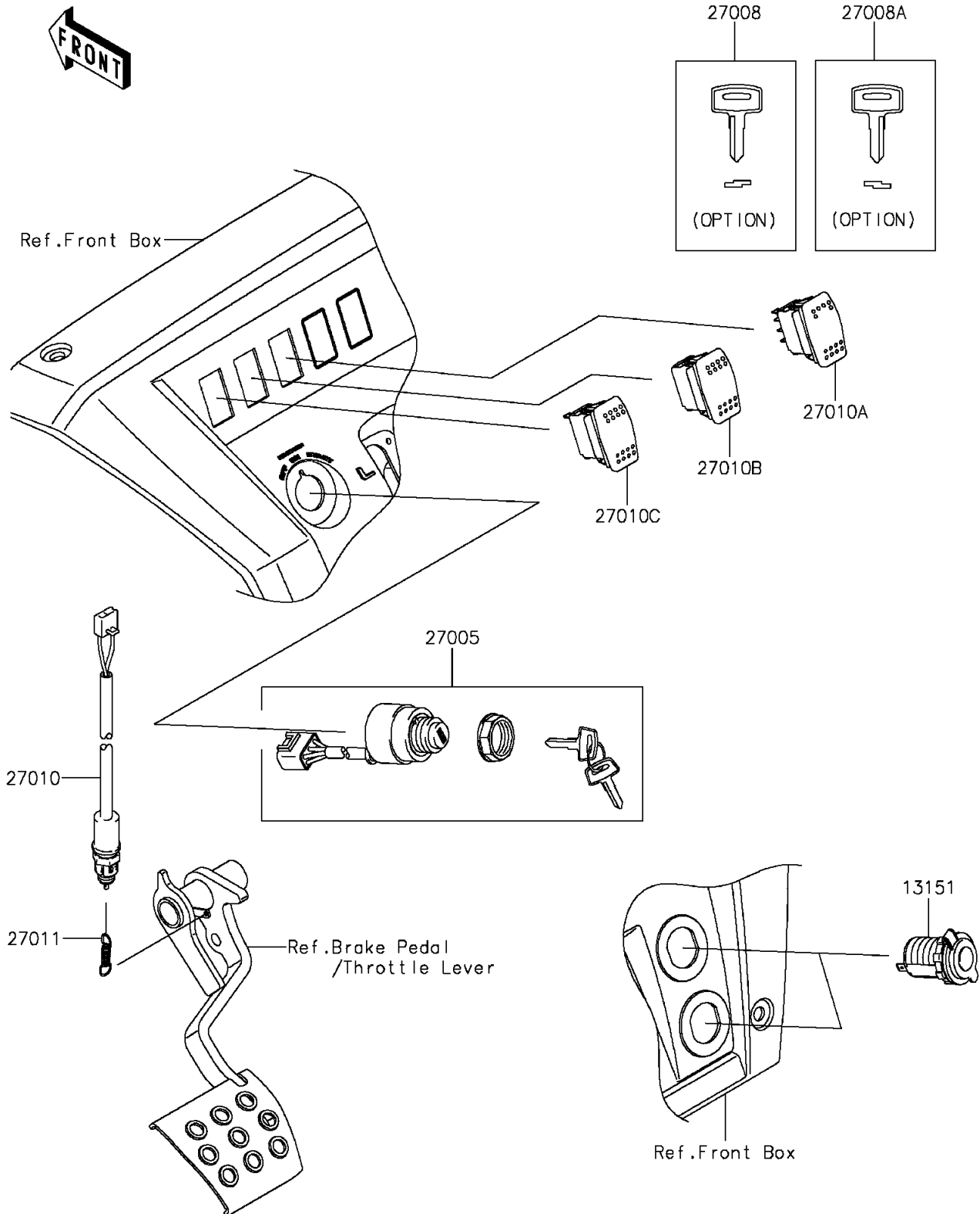


# 2016 MULE PRO-DX™ EPS DIESEL

## PARTS DIAGRAM

### Ignition Switch

F2770



# 2016 MULE PRO-DX™ EPS DIESEL

## PARTS LIST

### Ignition Switch

| ITEM NAME                              | PART NUMBER | QUANTITY |
|--|-------------|----------|
| SWITCH-COMP,OUTLET,12V (Ref # 13151)   | 13151-0556  | 2        |
| SWITCH-ASSY-IGNITION (Ref # 27005)     | 27005-0585  | 1        |
| KEY-LOCK,BLANK (Ref # 27008)           | 27008-1153  | 1        |
| KEY-LOCK,BLANK (Ref # 27008A)          | 27008-1157  | 1        |
| SWITCH,BRAKE (Ref # 27010)             | 27010-0724  | 1        |
| SWITCH,HEAD LAMP (Ref # 27010A)        | 27010-0750  | 1        |
| SWITCH,2WD/4WD (Ref # 27010B)          | 27010-0751  | 1        |
| SWITCH,DIFF LOCK (Ref # 27010C)        | 27010-0810  | 1        |
| SPRING,BRAKE LAMP SWITCH (Ref # 27011) | 27011-006   | 1        |