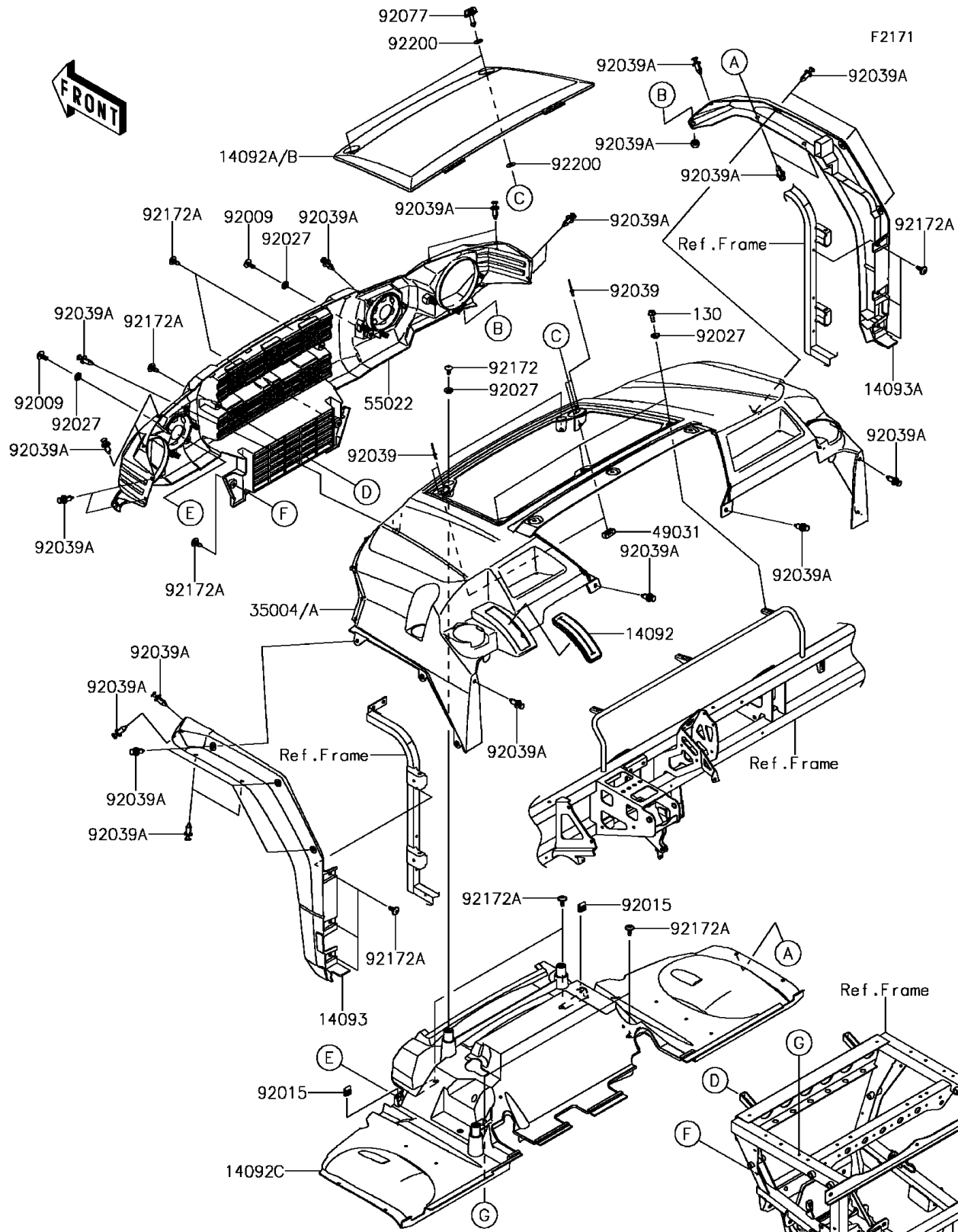


2016 MULE PRO-DX™ EPS DIESEL

PARTS DIAGRAM

Front Fender(s)



2016 MULE PRO-DX™ EPS DIESEL

PARTS LIST

Front Fender(s)

ITEM NAME	PART NUMBER	QUANTITY
BOLT-FLANGED,6X16 (Ref # 130)	130CA0616	3
COVER,CENTER CONSOLE,TOP (Ref # 14092)	14092-0791	1
COVER,OPEN,T.GREEN (Ref # 14092A)	14092-1177-42S	1
COVER,OPEN,S.BLACK (Ref # 14092B)	14092-1177-839	1
COVER,TOP,FR INNER (Ref # 14092C)	14092-1194	1
COVER,SIDE,LH (Ref # 14093)	14093-0596	1
COVER,SIDE,RH (Ref # 14093A)	14093-0597	1
FENDER-FRONT,T.GREEN (Ref # 35004)	35004-0335-42S	1
FENDER-FRONT,S.BLACK (Ref # 35004A)	35004-0335-839	1
LATCH (Ref # 49031)	49031-0008	2
COVER-HEAD LAMP (Ref # 55022)	55022-0304	1
SCREW,6X16 (Ref # 92009)	92009-1621	2
NUT,CLAMP,6MM (Ref # 92015)	92015-1678	2
COLLAR,L=4.6 (Ref # 92027)	92027-1168	7
RIVET,3.2X9.8 (Ref # 92039)	92039-0013	4
RIVET (Ref # 92039A)	92039-1229	28
KNOB (Ref # 92077)	92077-0030	2
SCREW,6X16 (Ref # 92172)	92172-0284	2
SCREW,6X16 (Ref # 92172A)	92172-0711	14
WASHER (Ref # 92200)	92200-0503	4