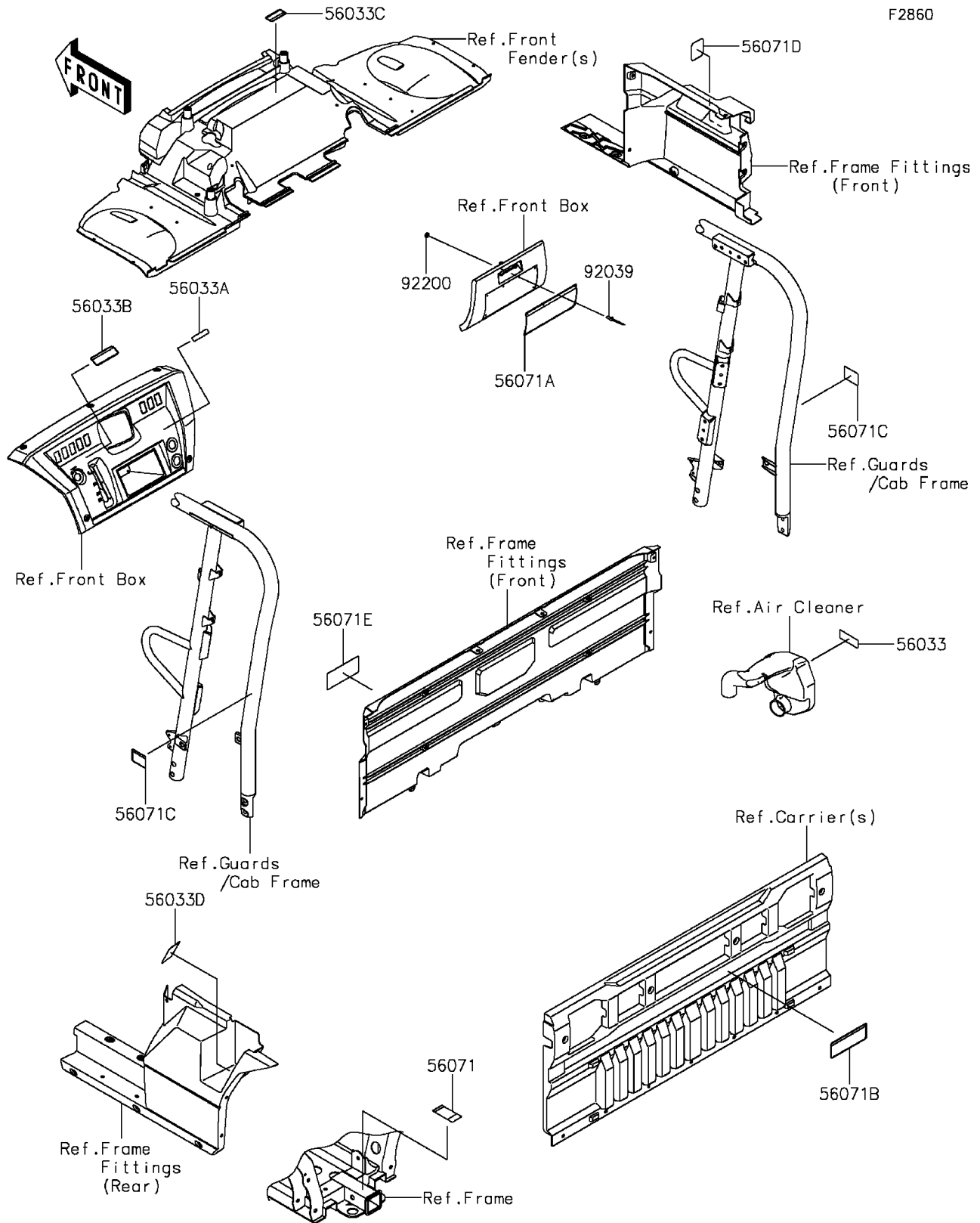


# 2016 MULE PRO-DX™ DIESEL

## PARTS DIAGRAM

### Labels



# 2016 MULE PRO-DX™ DIESEL

## PARTS LIST

### Labels

**ITEM NAME**

**PART NUMBER**

**QUANTITY**

---