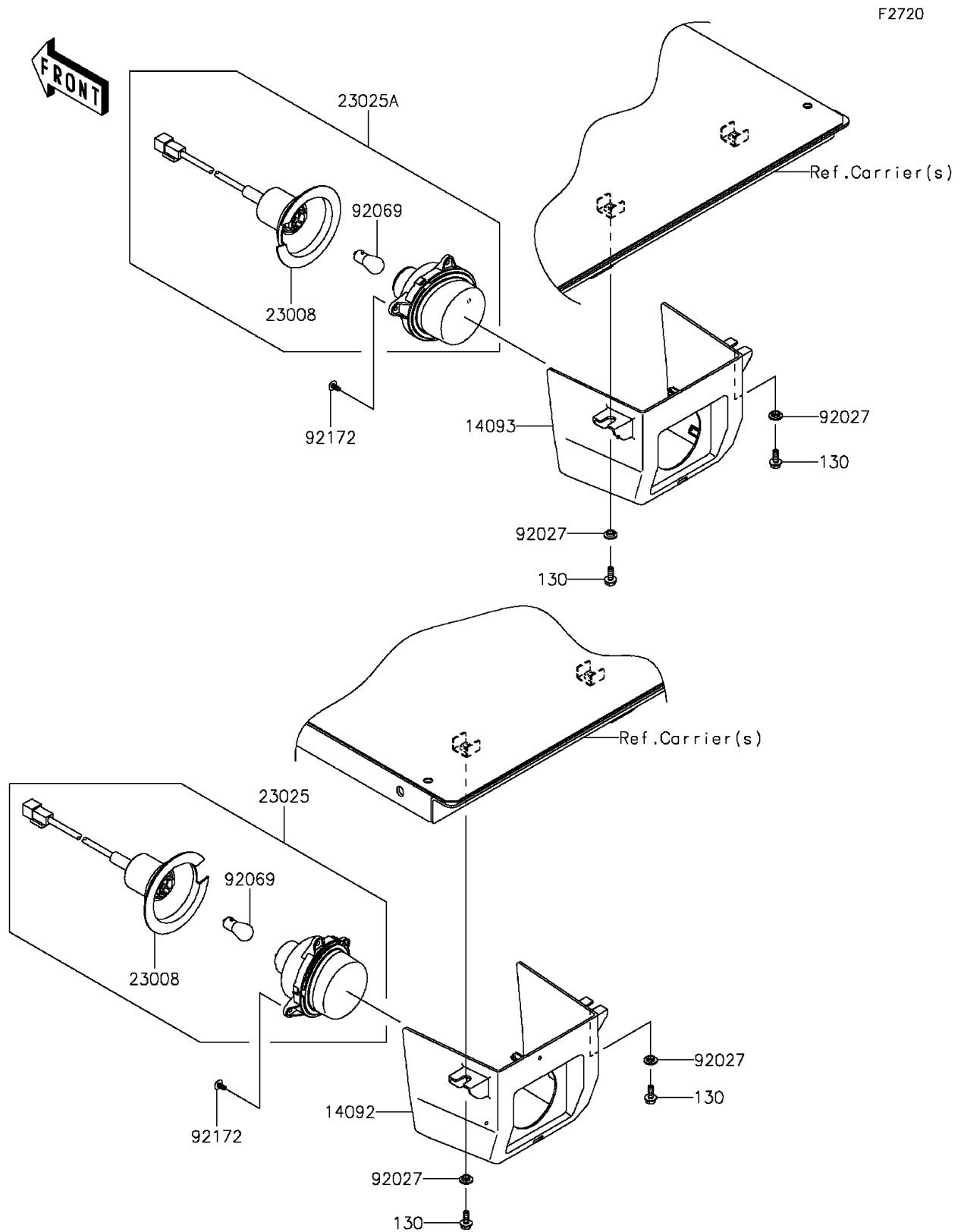


# 2016 MULE PRO-DXT™ DIESEL

## PARTS DIAGRAM

### Taillight(s)



# 2016 MULE PRO-DXT™ DIESEL

## PARTS LIST

Taillight(s)

ITEM NAME	PART NUMBER	QUANTITY
-----------	-------------	----------

---