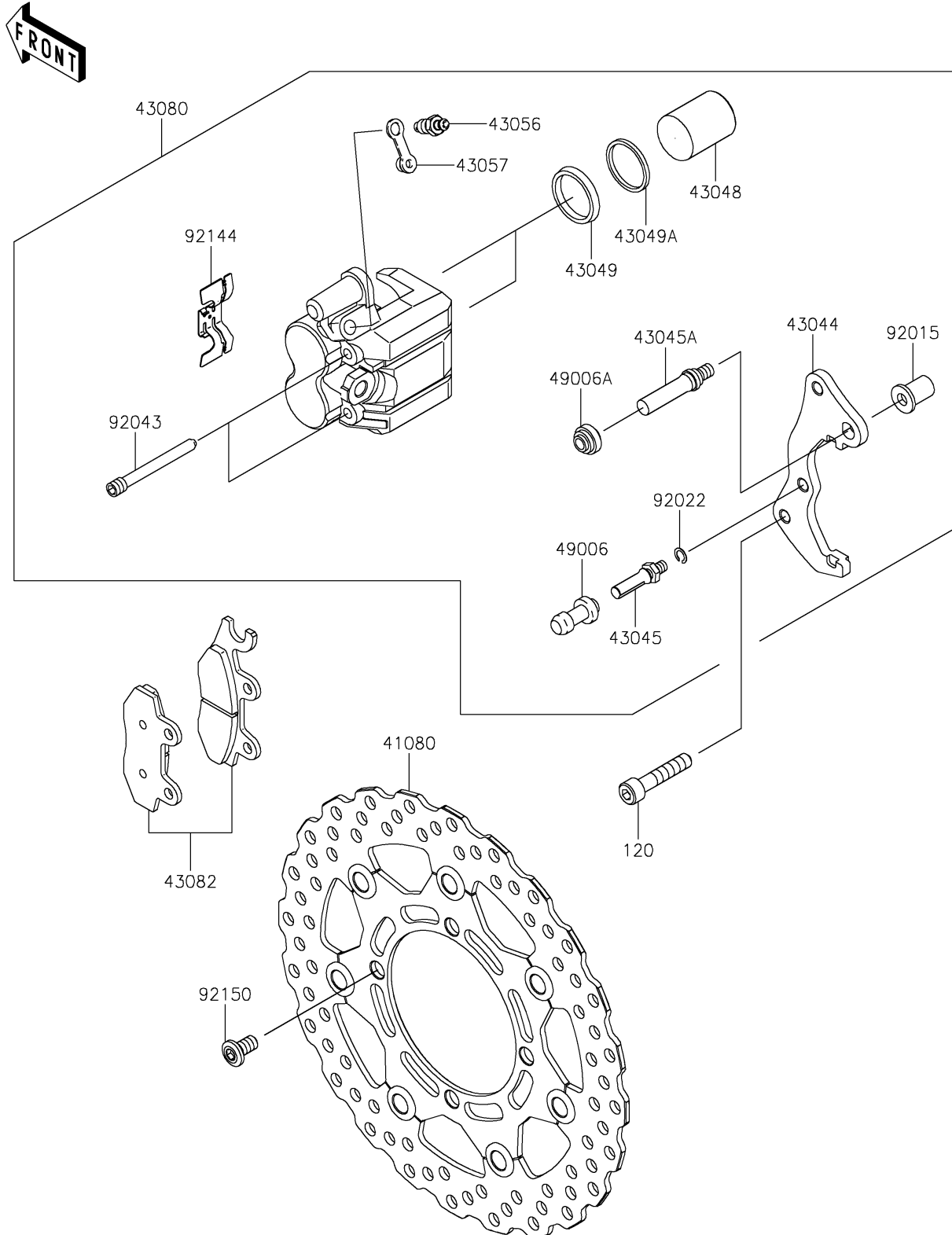


2020 KLX[®] 300R

PARTS DIAGRAM

Front Brake

F2292



2020 KLX[®] 300R

PARTS LIST

Front Brake

ITEM NAME	PART NUMBER	QUANTITY
BOLT-SOCKET,8X40 (Ref # 120)	120CA0840	2
DISC,FR,SILVER+SIL (Ref # 41080)	41080-0705-S6	1
HOLDER-COMP-CALIPER (Ref # 43044)	43044-0094	1
SHAFT-CALIPER (Ref # 43045)	43045-1010	1
SHAFT-CALIPER (Ref # 43045A)	43045-1052	1
PISTON-CALIPER (Ref # 43048)	43048-0011	2
PACKING,PISTON SEAL (Ref # 43049)	43049-1060	2
PACKING,PISTON SEAL (Ref # 43049A)	43049-1061	2
BREATHER-BRAKE (Ref # 43056)	43056-0004	1
CAP-BREATHER (Ref # 43057)	43057-1001	1
CALIPER-SUB-ASSY (Ref # 43080)	43080-0218	1
PAD-ASSY-BRAKE (Ref # 43082)	43082-0060	1
BOOT,CALIPER (Ref # 49006)	49006-1088	1
BOOT,CALIPER (Ref # 49006A)	49006-1242	1
NUT (Ref # 92015)	92015-1740	1
WASHER,WAVE (Ref # 92022)	92022-1373	1
PIN,HANGER (Ref # 92043)	92043-1416	2
SPRING,PAD (Ref # 92144)	92144-1847	1
BOLT,DISC PLATE,8X15 (Ref # 92150)	92150-1811	4