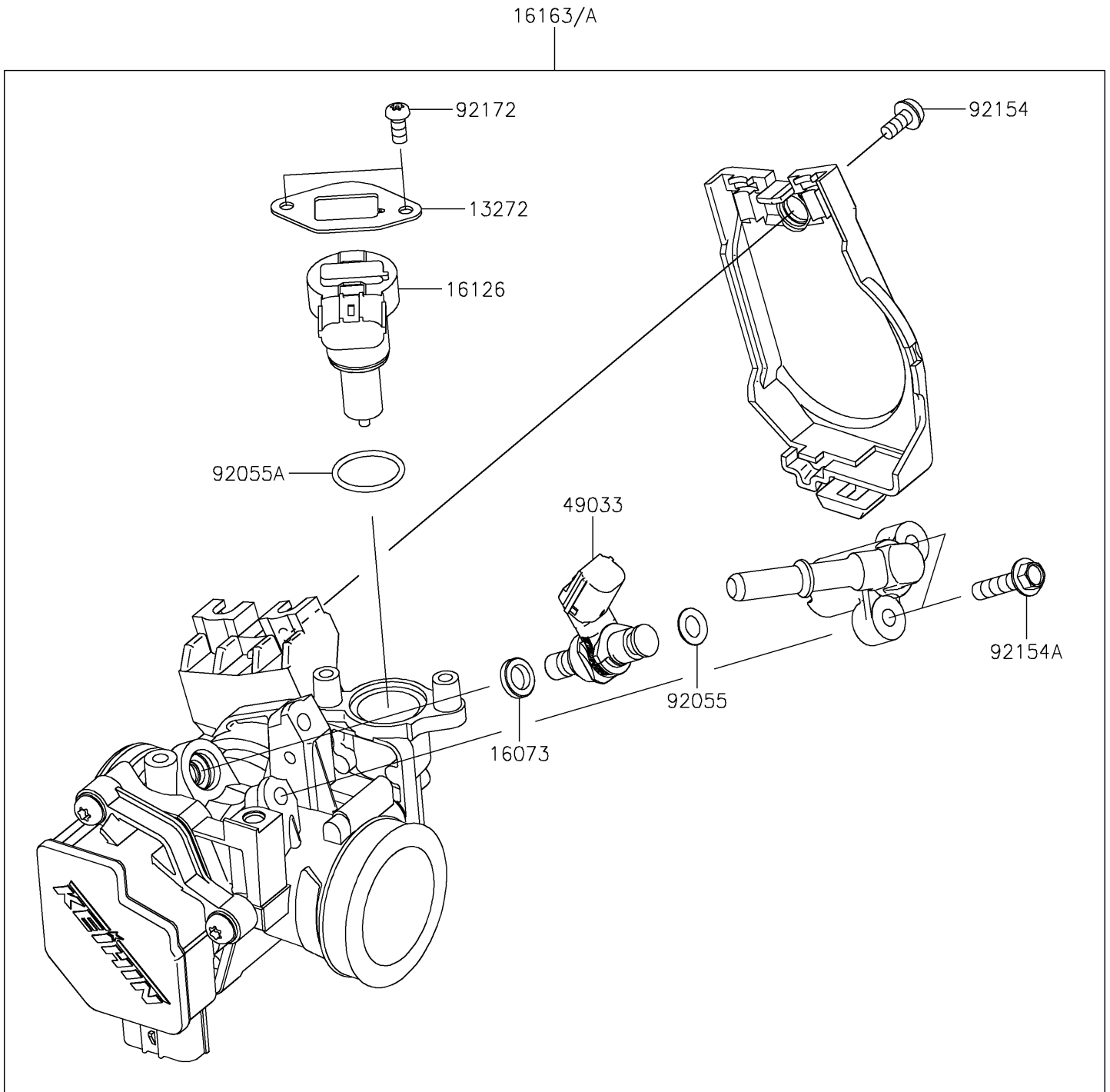


2020 KLX[®] 300R

PARTS DIAGRAM

Throttle

E1510



2020 KLX[®] 300R

PARTS LIST

Throttle

ITEM NAME	PART NUMBER	QUANTITY
PLATE (Ref # 13272)	13272-1862	1
INSULATOR (Ref # 16073)	16073-0821	1
VALVE,ISC (Ref # 16126)	16126-0729	1
THROTTLE-ASSY (Ref # 16163)	16163-0985	1
THROTTLE-ASSY (Ref # 16163A)	16163-1143	1
NOZZLE-INJECTION (Ref # 49033)	49033-0566	1
RING-O,6.3X2.2 (Ref # 92055)	92055-0821	1
RING-O (Ref # 92055A)	92055-0826	1
BOLT (Ref # 92154)	92154-0133	1
BOLT,FLANGED,5X20 (Ref # 92154A)	92154-1559	2
SCREW,TORX (Ref # 92172)	92172-0903	2