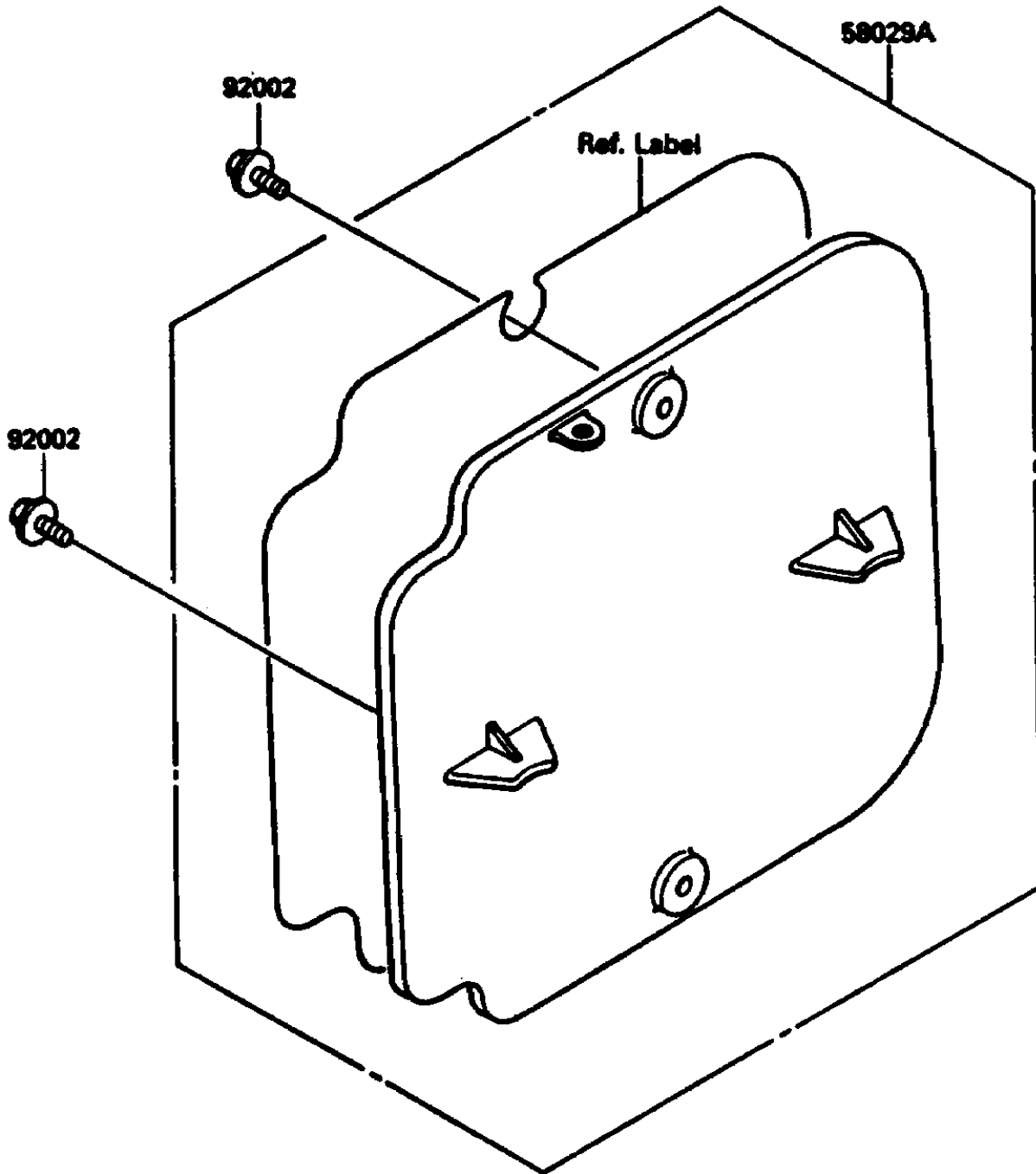


# 1989 KX125

## PARTS DIAGRAM

Accessory

(F2910 )



# 1989 KX125

## PARTS LIST

### Accessory

**ITEM NAME**

**PART NUMBER**

**QUANTITY**

---