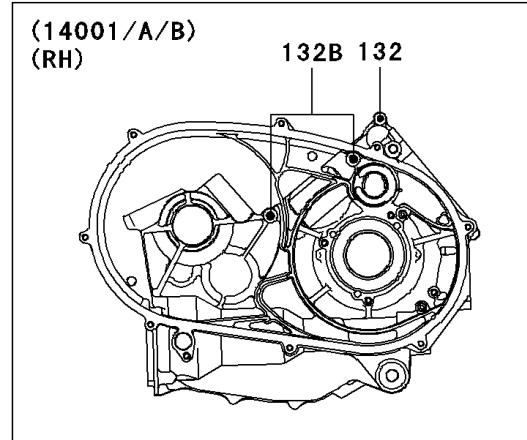
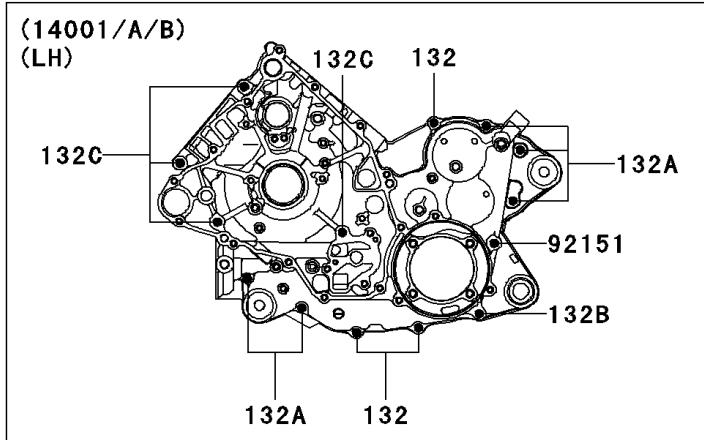
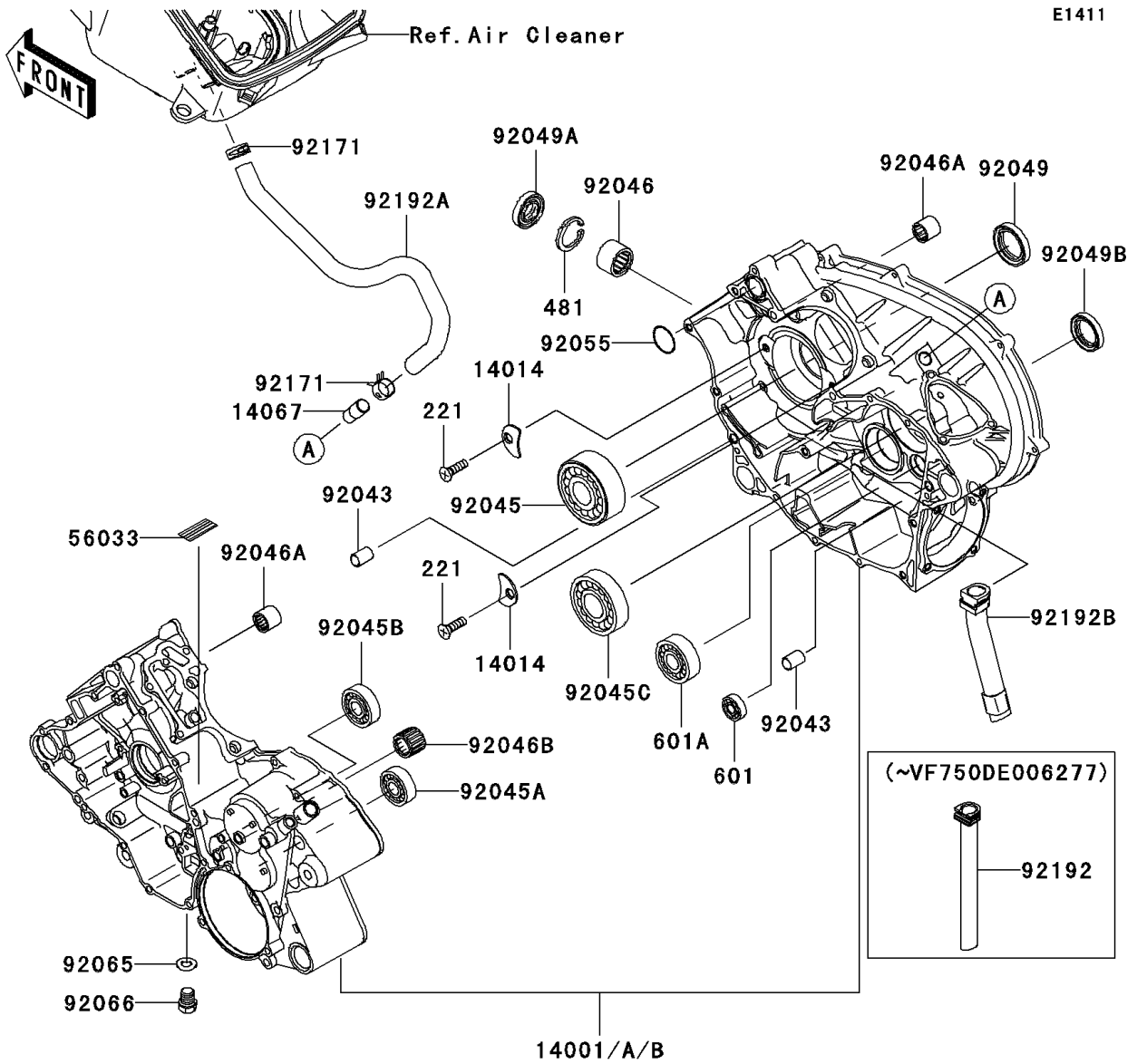


# 2009 Brute Force 750 4x4i NRA Outdoors

## PARTS DIAGRAM

### Crankcase



# 2009 Brute Force 750 4x4i NRA Outdoors



## PARTS LIST

### Crankcase

ITEM NAME	PART NUMBER	QUANTITY
-----------	-------------	----------

---