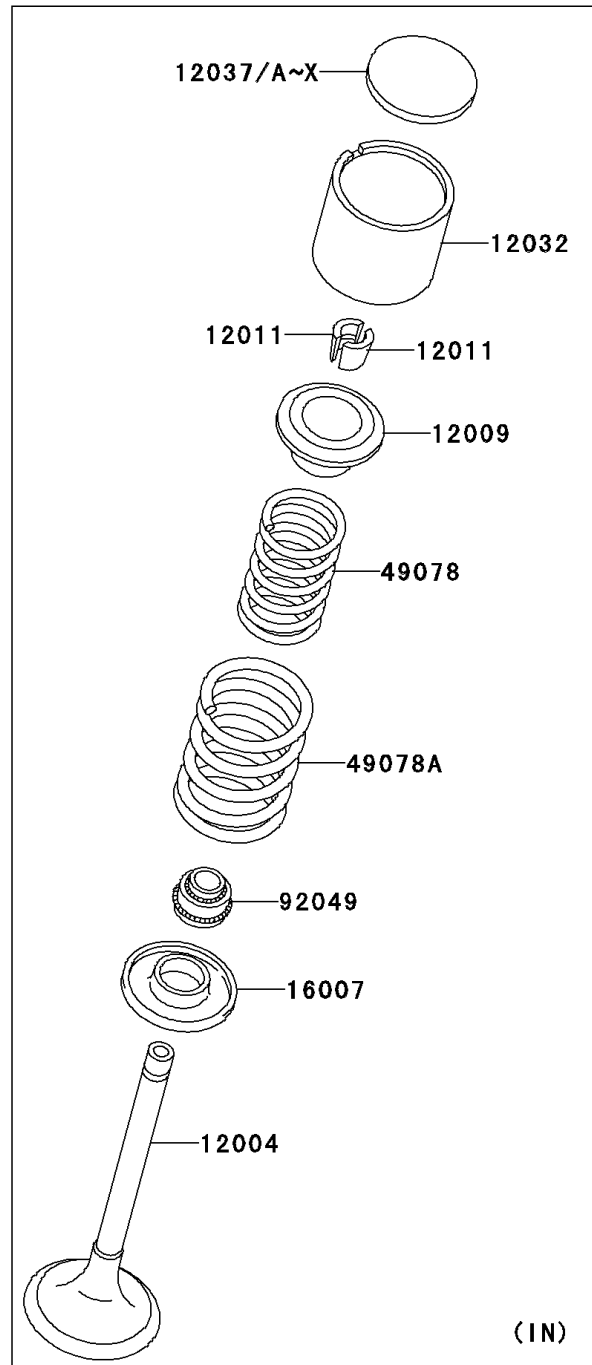
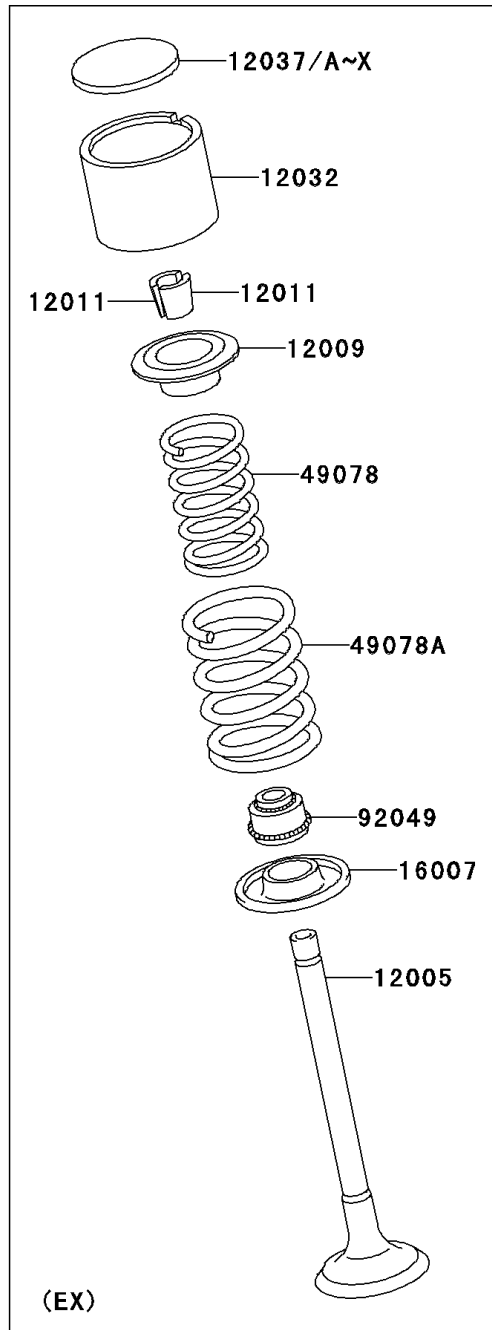


2010 KLR™ 650

PARTS DIAGRAM

Valve(s)

E1210



2010 KLR™ 650

PARTS LIST

Valve(s)

ITEM NAME

PART NUMBER

QUANTITY
