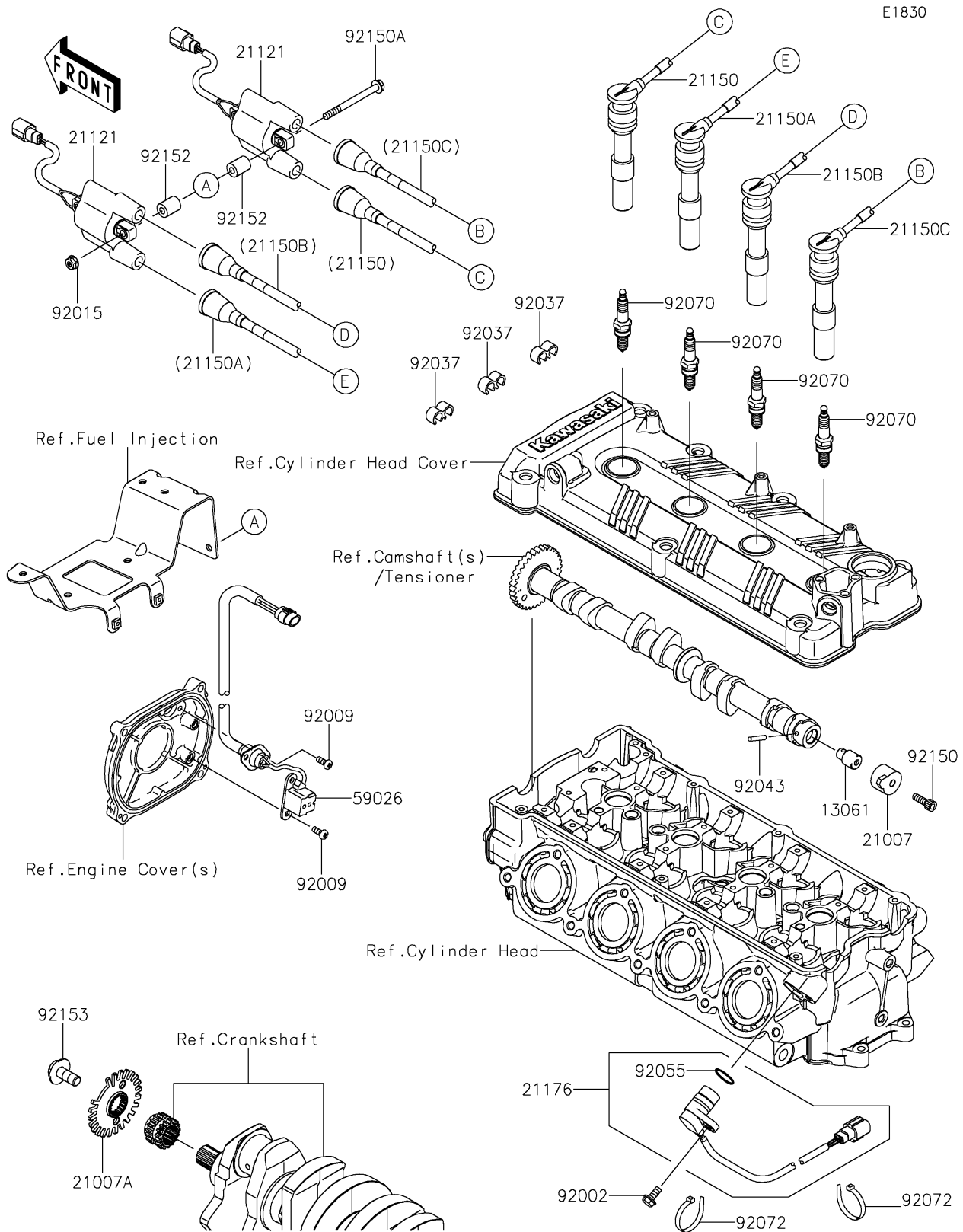


# 2020 JET SKI® ULTRA® 310R

## PARTS DIAGRAM

### Ignition System



# 2020 JET SKI® ULTRA® 310R

## PARTS LIST Ignition System



ITEM NAME	PART NUMBER	QUANTITY
-----------	-------------	----------

---