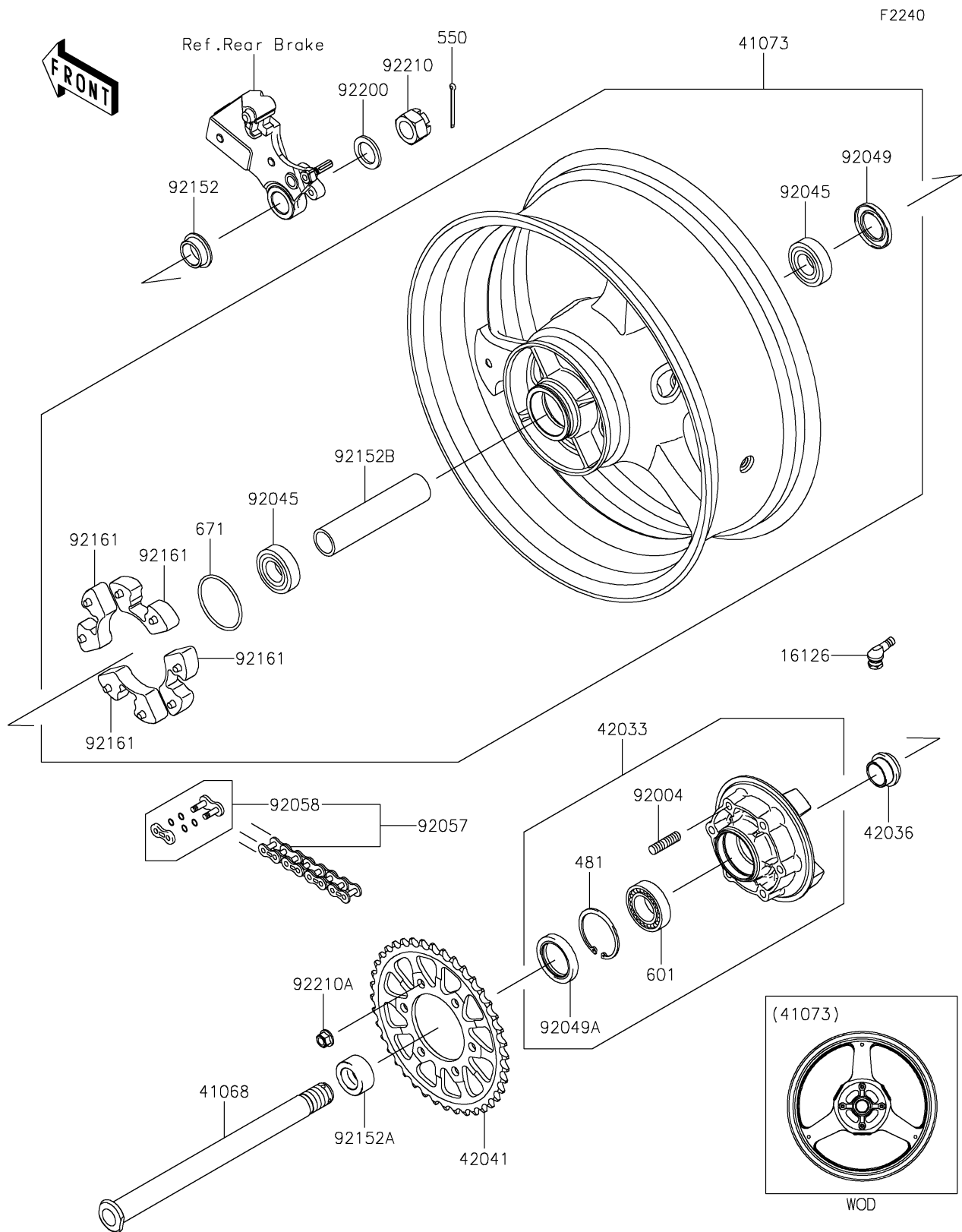


# 2019 NINJA® ZX™-10R KRT

## PARTS DIAGRAM

### Rear Wheel/Chain



# 2019 NINJA<sup>®</sup> ZX<sup>™</sup>-10R KRT

## PARTS LIST

### Rear Wheel/Chain

ITEM NAME	PART NUMBER	QUANTITY
-----------	-------------	----------

---