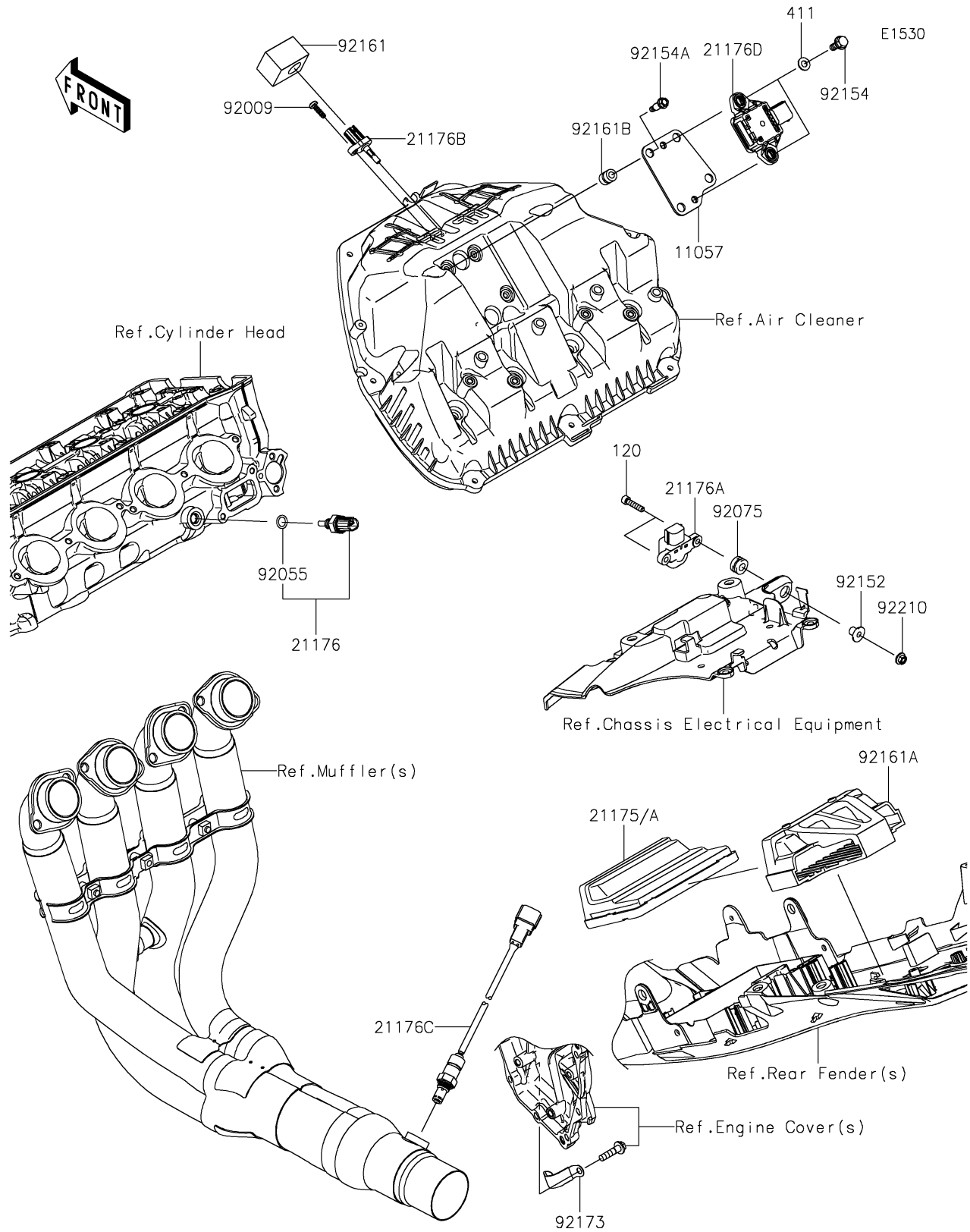


# 2019 NINJA<sup>®</sup> ZX<sup>™</sup>-10R

## PARTS DIAGRAM

### Fuel Injection



# 2019 NINJA® ZX™-10R

## PARTS LIST

### Fuel Injection

ITEM NAME	PART NUMBER	QUANTITY
BRACKET,GYRO SENSOR (Ref # 11057)	11057-1847	1
BOLT-SOCKET,5X22 (Ref # 120)	120R0522	2
CONTROL UNIT-ELECTRONIC (Ref # 21175)	21175-1426	1
CONTROL UNIT-ELECTRONIC (Ref # 21175A)	21175-1427	1
SENSOR,WATER TEMP (Ref # 21176)	21176-0009	1
SENSOR,VEHICLE-DOWN (Ref # 21176A)	21176-0026	1
SENSOR,AIR TEMPERATURE (Ref # 21176B)	21176-0048	1
SENSOR,OXYGEN (Ref # 21176C)	21176-0789	1
SENSOR,INERTIAL (Ref # 21176D)	21176-0878	1
WASHER-PLAIN,6MM (Ref # 411)	411S0600	2
SCREW,TAPPING,5X16 (Ref # 92009)	92009-1984	1
RING-O,9.5X1.9 (Ref # 92055)	92055-0016	1
DAMPER (Ref # 92075)	92075-1912	2
COLLAR (Ref # 92152)	92152-1969	2
BOLT,FLANGED,6X16 (Ref # 92154)	92154-1851	2
BOLT,FLANGED,5X13.1 (Ref # 92154A)	92154-3841	4
DAMPER (Ref # 92161)	92161-0985	1
DAMPER,ECU (Ref # 92161A)	92161-1719	1
DAMPER,GYRO SENSOR (Ref # 92161B)	92161-2142	4
CLAMP (Ref # 92173)	92173-1549	1
NUT,FLANGED,5MM (Ref # 92210)	92210-0950	2