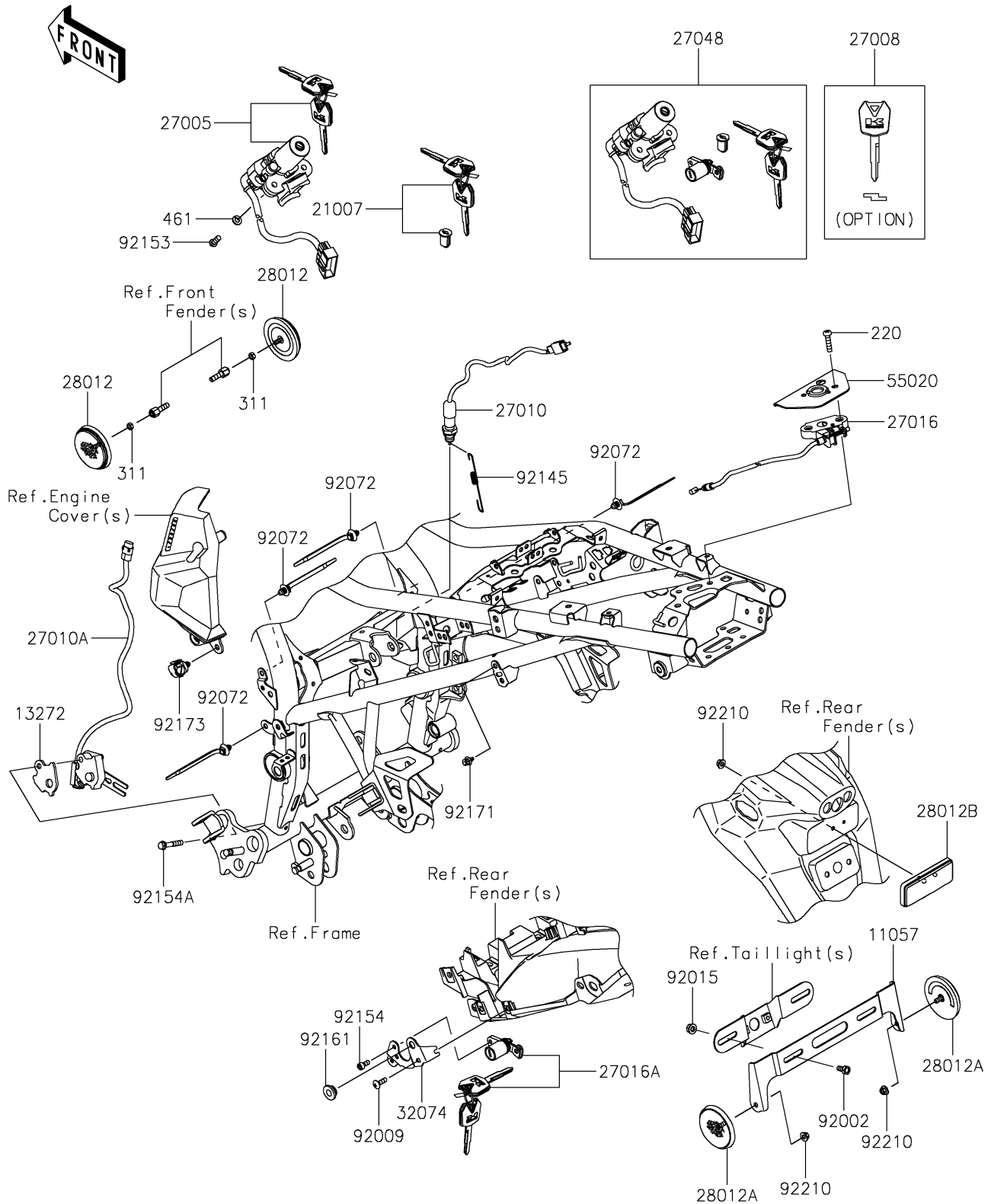


2020 VERSYS®-X 300

PARTS DIAGRAM

Ignition Switch

F2770



2020 VERSYS®-X 300

PARTS LIST

Ignition Switch

ITEM NAME	PART NUMBER	QUANTITY
BRACKET,REFLECTOR (Ref # 11057)	11057-0641	1
PLATE (Ref # 13272)	13272-1330	1
ROTOR,LOCK,TANK CAP (Ref # 21007)	21007-5082	1
SCREW-PAN-CROS,6X25 (Ref # 220)	220AA0625	2
SWITCH-ASSY-IGNITION (Ref # 27005)	27005-5162	1
KEY-LOCK,BLANK (Ref # 27008)	27008-0053	1
SWITCH,REAR BRAKE (Ref # 27010)	27010-0726	1
SWITCH,SIDE STAND (Ref # 27010A)	27010-0845	1
LOCK-ASSY,SEAT LEVER (Ref # 27016)	27016-0089	1
LOCK-ASSY,SEAT (Ref # 27016A)	27016-5398	1
SWITCH-ASSY (Ref # 27048)	27048-5139	1
REFLECTOR-REFLEX,FR,SIDE (Ref # 28012)	28012-0001	2
REFLECTOR-REFLEX (Ref # 28012A)	28012-0002	2
REFLECTOR-REFLEX (Ref # 28012B)	28012-1077	1
NUT-HEX,5MM (Ref # 311)	311AB0500	2
BRACKET-LOCK (Ref # 32074)	32074-0022	1
WASHER-SPRING,6MM (Ref # 461)	461DA0600	2
GUARD (Ref # 55020)	55020-1987	1
BOLT,6X12 (Ref # 92002)	92002-1132	2
SCREW,5X16,BLACK (Ref # 92009)	92009-1654	2
NUT,FLANGED,6MM (Ref # 92015)	92015-1367	2
BAND,OS170-FT7(BLACK) (Ref # 92072)	92072-1414	4
SPRING,REAR BRAKE SWITCH (Ref # 92145)	92145-0144	1
BOLT,TORX,6X16 (Ref # 92153)	92153-0967	2
BOLT,SOCKET,5X12 (Ref # 92154)	92154-0933	2
BOLT,FLANGED,6X35 (Ref # 92154A)	92154-1009	1
DAMPER (Ref # 92161)	92161-1531	1
CLAMP (Ref # 92171)	92171-0939	1
CLAMP,12MM DIA. (Ref # 92173)	92173-0736	1

2020 VERSYS[®]-X 300

PARTS LIST

Ignition Switch

ITEM NAME	PART NUMBER	QUANTITY
NUT,FLANGED,5MM (Ref # 92210)	92210-0007	3