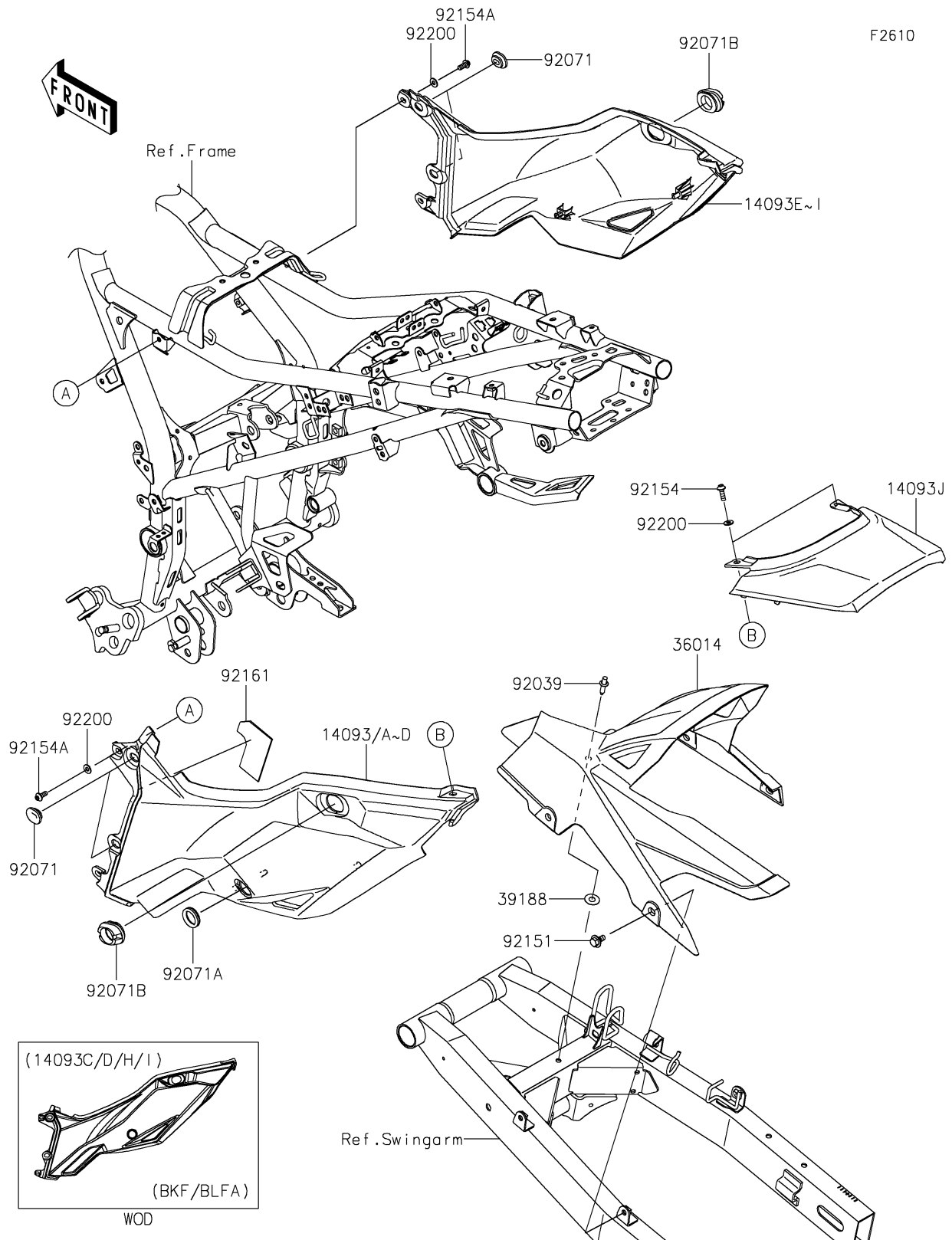


2020 VERSYS®-X 300

PARTS DIAGRAM

Side Covers/Chain Cover



2020 VERSYS® -X 300

PARTS LIST

Side Covers/Chain Cover

ITEM NAME

PART NUMBER

QUANTITY
