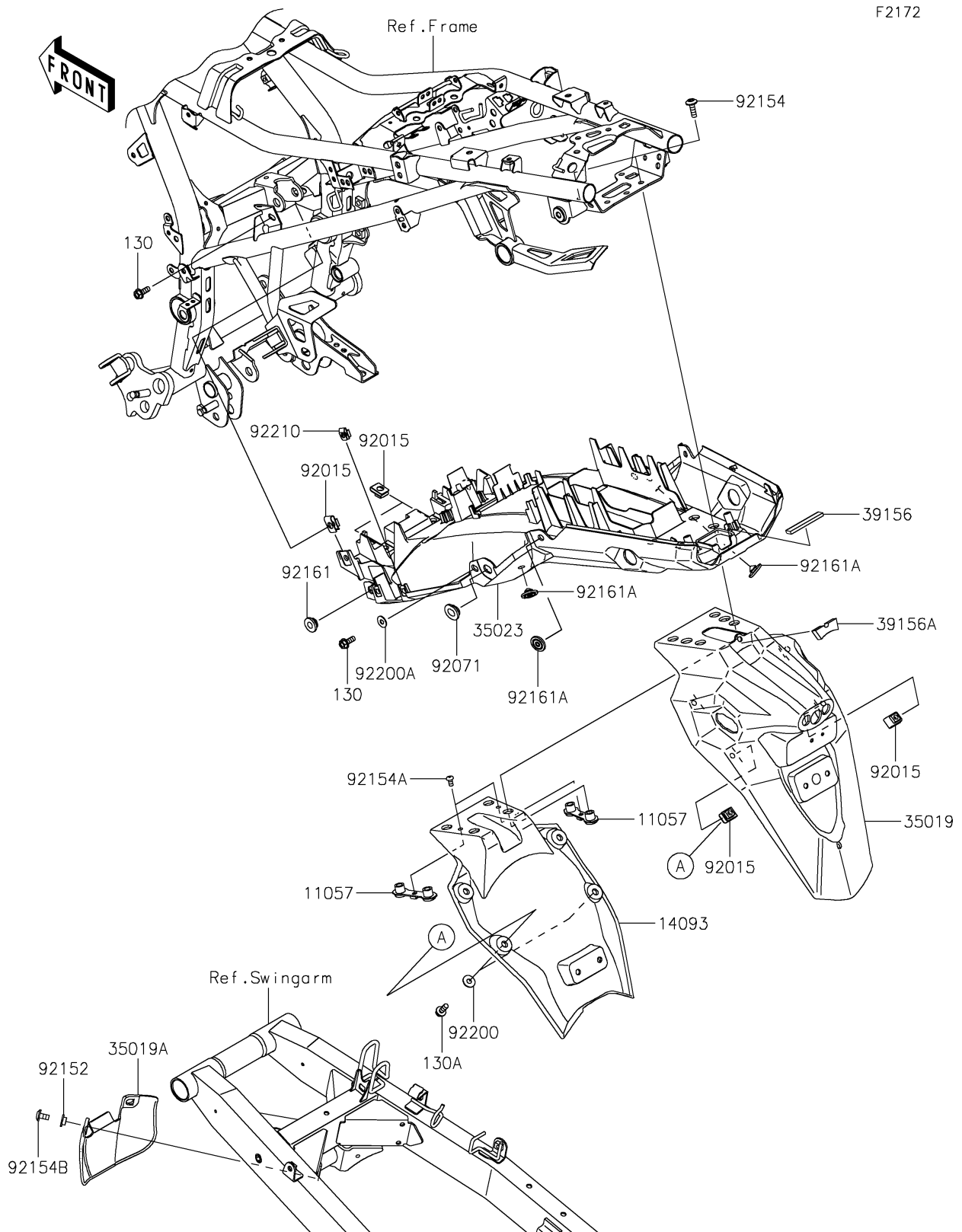


# 2017 Versys-X 300

## PARTS DIAGRAM

### Rear Fender(s)



# 2017 Versys-X 300

## PARTS LIST

### Rear Fender(s)

ITEM NAME	PART NUMBER	QUANTITY
BRACKET (Ref # 11057)	11057-0556	2
BOLT-FLANGED,6X16 (Ref # 130)	130BA0616	4
BOLT-FLANGED,6X16 (Ref # 130A)	130BB0616	4
COVER (Ref # 14093)	14093-0552	1
FLAP,RR (Ref # 35019)	35019-0632	1
FLAP,SWA,LWR (Ref # 35019A)	35019-0634	1
FENDER-REAR (Ref # 35023)	35023-0427	1
PAD,9X60X4 (Ref # 39156)	39156-0820	1
PAD (Ref # 39156A)	39156-2211	1
NUT,6MM (Ref # 92015)	92015-1602	8
GROMMET,20X24X7.5 (Ref # 92071)	92071-0766	2
COLLAR (Ref # 92152)	92152-2296	2
BOLT,SOCKET,6X20 (Ref # 92154)	92154-0918	4
BOLT,SOCKET,5X10 (Ref # 92154A)	92154-1547	2
BOLT,SOCKET,6X12 (Ref # 92154B)	92154-2355	2
DAMPER (Ref # 92161)	92161-1531	2
DAMPER,8X22X10 (Ref # 92161A)	92161-1685	4
WASHER,6.5X17X1 (Ref # 92200)	92200-0430	4
WASHER,6.5X16X1.0 (Ref # 92200A)	92200-0796	2
NUT,5MM (Ref # 92210)	92210-0817	2