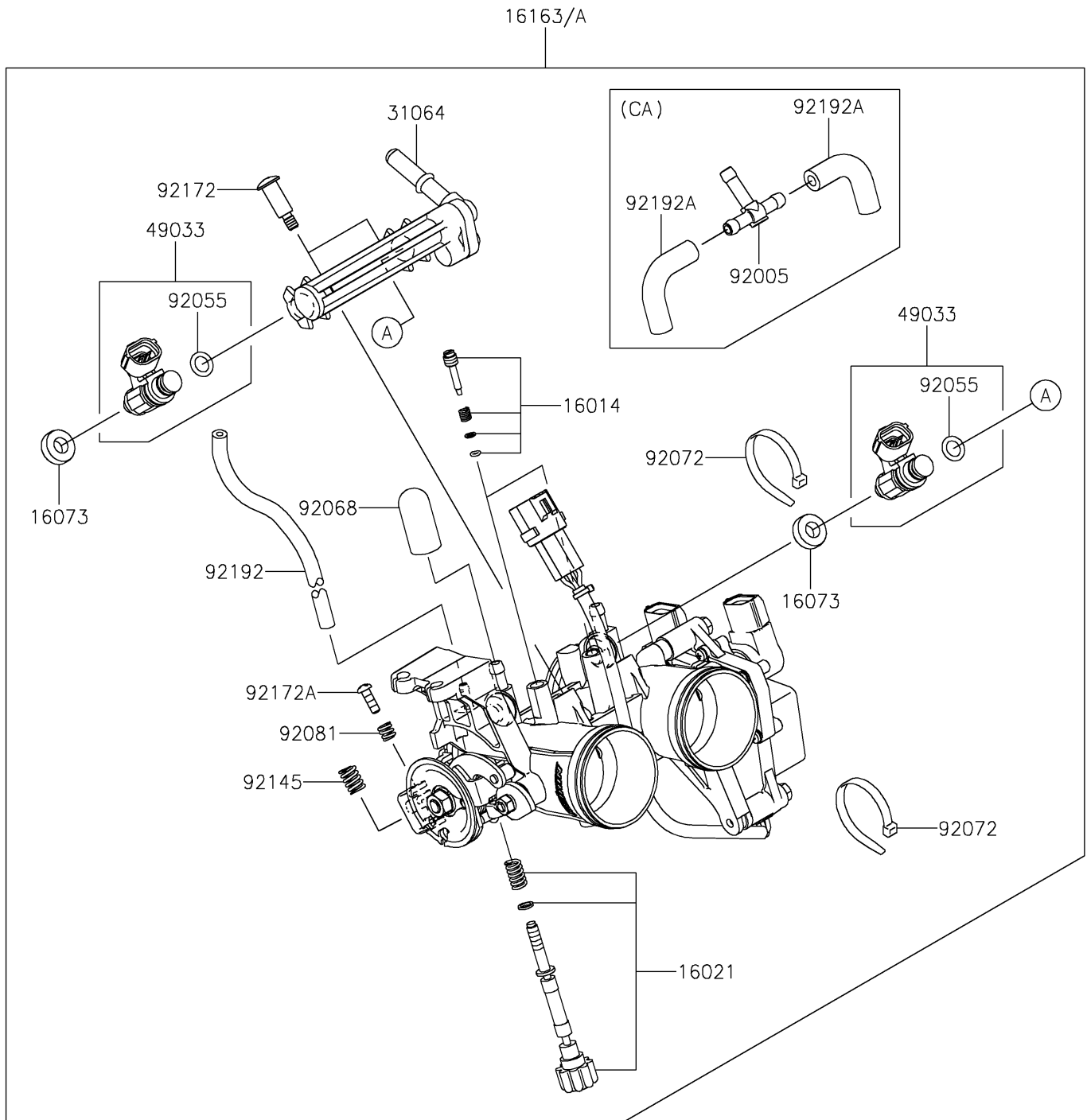


2019 VERSYS®-X 300

PARTS DIAGRAM

Throttle

E1510



2019 VERSYS®-X 300

PARTS LIST

Throttle

ITEM NAME	PART NUMBER	QUANTITY
SCREW-PILOT AIR (Ref # 16014)	16014-0002	2
SCREW-THROTTLE STOP (Ref # 16021)	16021-0027	1
INSULATOR (Ref # 16073)	16073-0129	2
THROTTLE-ASSY,TTK32 (Ref # 16163)	16163-0746	1
THROTTLE-ASSY (Ref # 16163A)	16163-0750	1
PIPE-COMP,FUEL (Ref # 31064)	31064-0164	1
NOZZLE-INJECTION (Ref # 49033)	49033-0558	2
FITTING,3WAY (Ref # 92005)	92005-0730	1
RING-O,INJECTION NOZZLE (Ref # 92055)	92055-0124	2
PLUG,12X25 (Ref # 92068)	92068-006	2
BAND,SUB-HARNESS (Ref # 92072)	92072-0012	2
SPRING (Ref # 92081)	92081-1620	1
SPRING (Ref # 92145)	92145-0656	1
SCREW,PIPE INJECTION (Ref # 92172)	92172-0064	2
SCREW (Ref # 92172A)	92172-0129	1
TUBE,3X7X200 (Ref # 92192)	92192-1170	1
TUBE (Ref # 92192A)	92192-1918	2