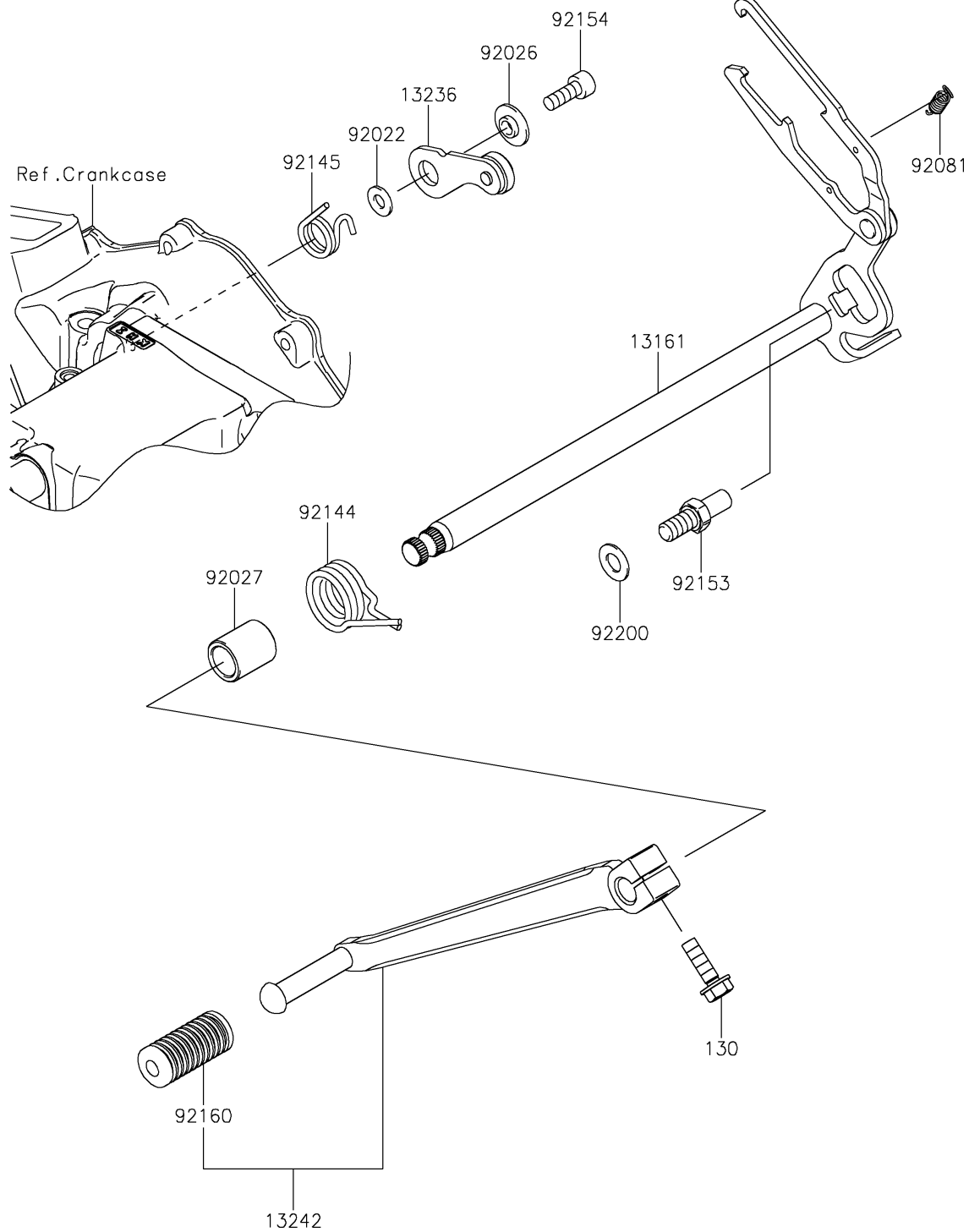


# 2017 Versys-X 300

## PARTS DIAGRAM

### Gear Change Mechanism

E1370



# 2017 Versys-X 300

## PARTS LIST

### Gear Change Mechanism

ITEM NAME	PART NUMBER	QUANTITY
BOLT-FLANGED,6X20 (Ref # 130)	130CC0620	1
LEVER-COMP-CHANGE SHAFT (Ref # 13161)	13161-0560	1
LEVER-COMP (Ref # 13236)	13236-0797	1
LEVER-ASSY-CHANGE,PEDAL (Ref # 13242)	13242-0151	1
WASHER,6X12.8X1.2 (Ref # 92022)	92022-1827	1
SPACER (Ref # 92026)	92026-1217	1
COLLAR,13X18.3X21.5 (Ref # 92027)	92027-1440	1
SPRING,CHANGE LEVER (Ref # 92081)	92081-076	1
SPRING,CHANGE PEDAL RETURN (Ref # 92144)	92144-1074	1
SPRING (Ref # 92145)	92145-1747	1
BOLT,8X15.5 (Ref # 92153)	92153-1986	1
BOLT,SOCKET,6X16 (Ref # 92154)	92154-0235	1
DAMPER,CHANGE PEDAL (Ref # 92160)	92160-1036	1
WASHER,8.2X16X1 (Ref # 92200)	92200-0434	1