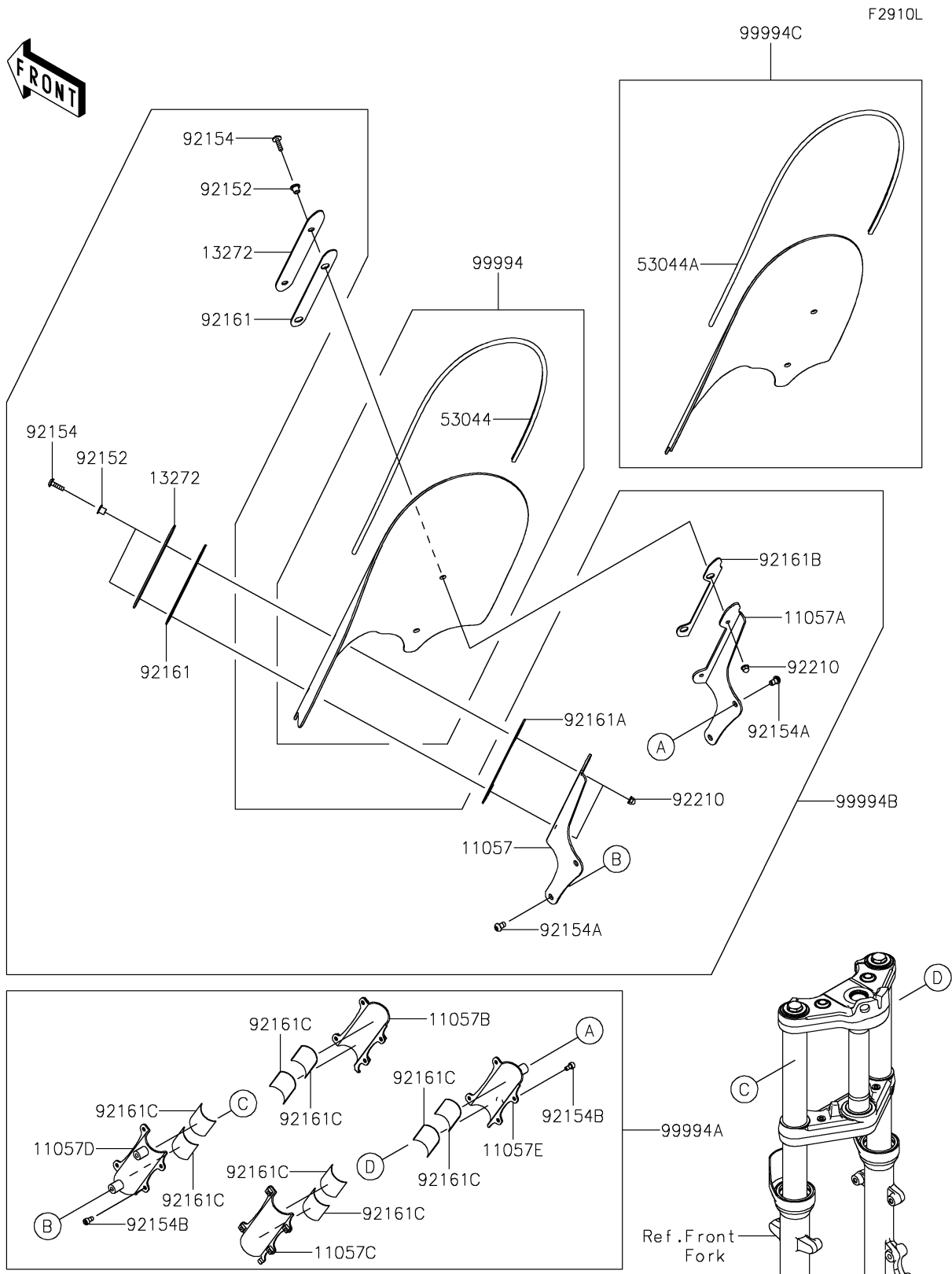


# 2019 VULCAN® S

## PARTS DIAGRAM

### Accessory(Windshield)



# 2019 VULCAN® S

## PARTS LIST

Accessory(Windshield)

**ITEM NAME**

**PART NUMBER**

**QUANTITY**

---