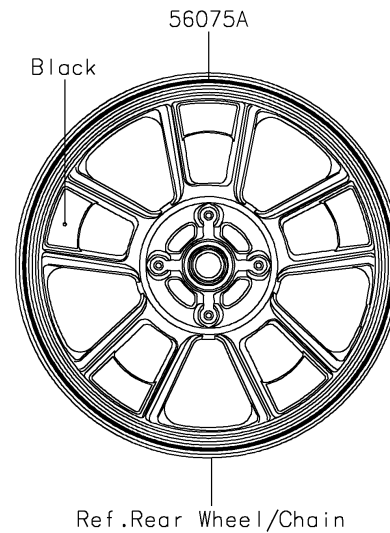
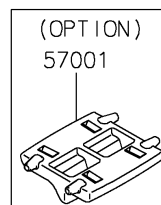
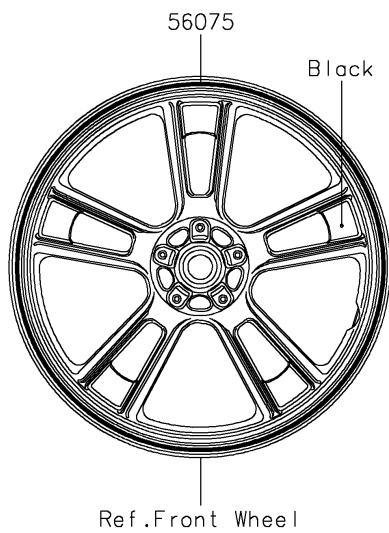
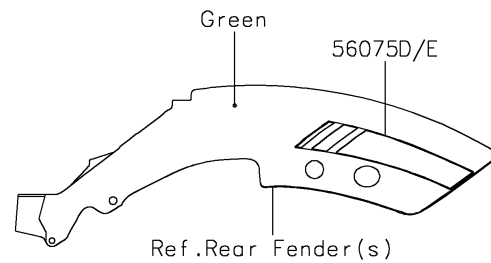
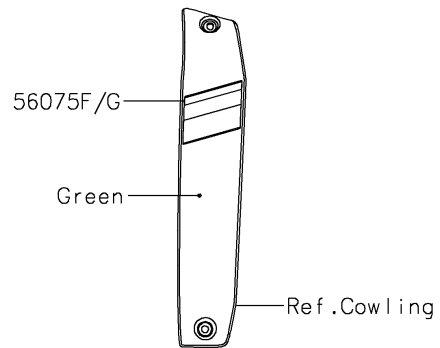
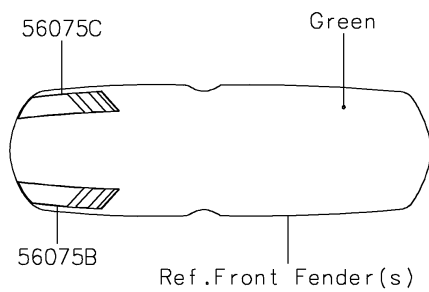
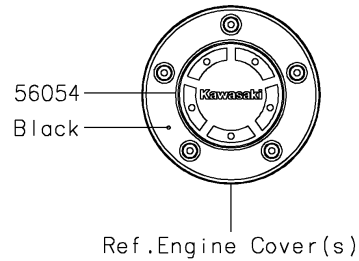


# 2019 VULCAN® S

## PARTS DIAGRAM

### Decals(Green)(CKFA)

F2861B



# 2019 VULCAN® S

## PARTS LIST

Decals(Green)(CKFA)

**ITEM NAME**

**PART NUMBER**

**QUANTITY**

---