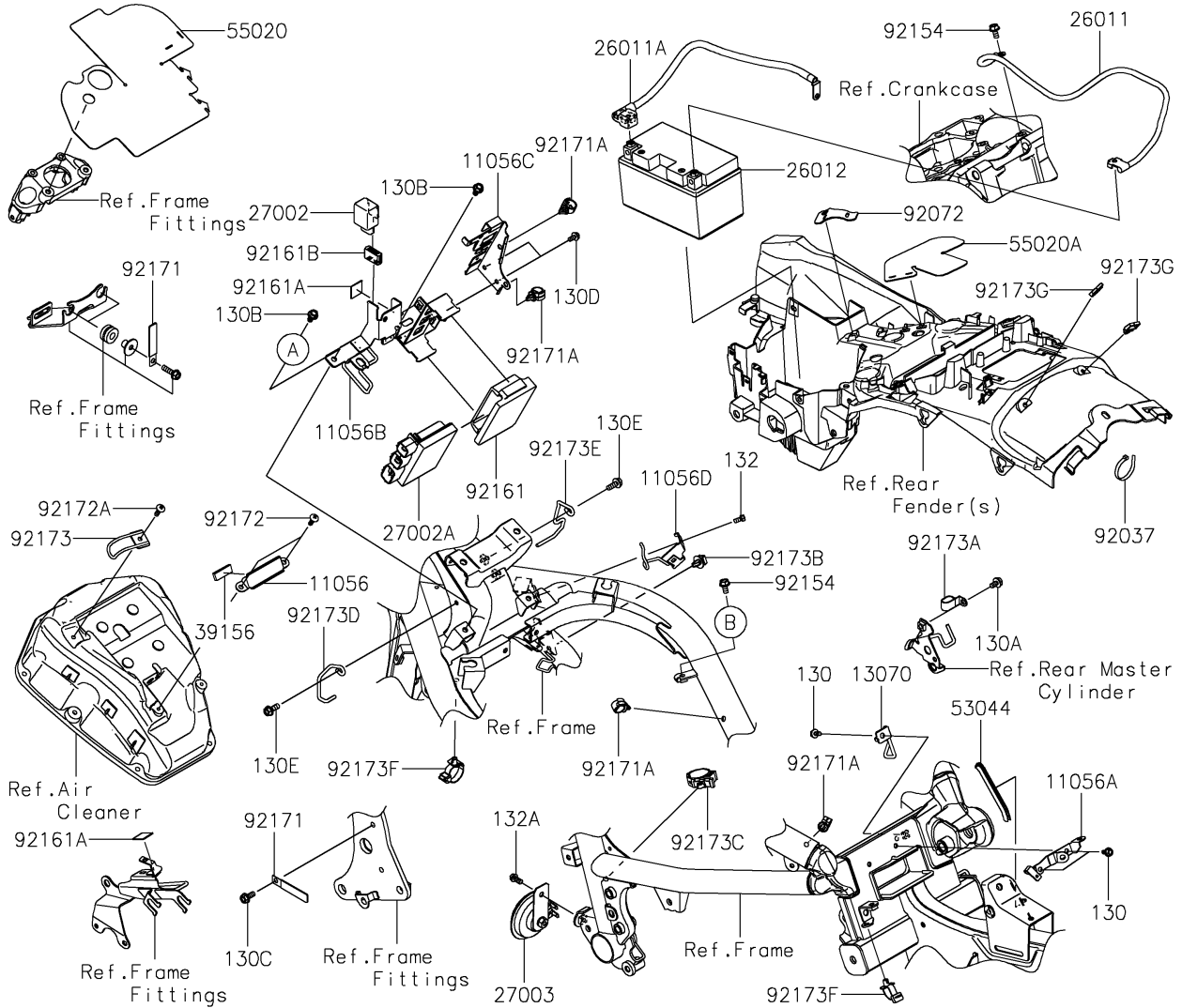
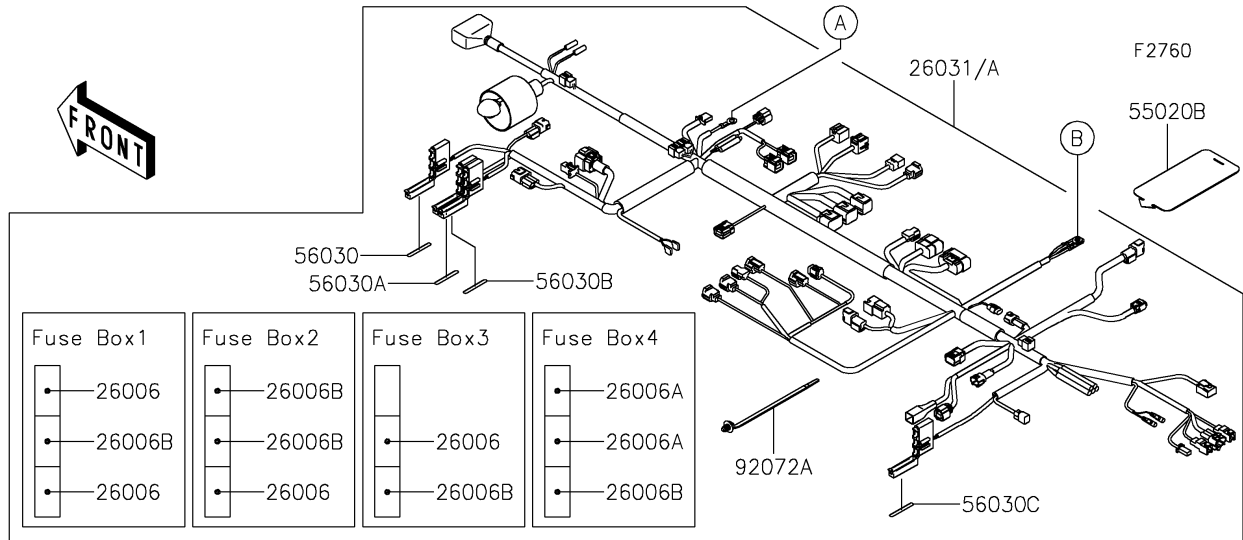


2019 VULCAN® S

PARTS DIAGRAM

Chassis Electrical Equipment



2019 VULCAN® S

PARTS LIST

Chassis Electrical Equipment

ITEM NAME

PART NUMBER

QUANTITY
