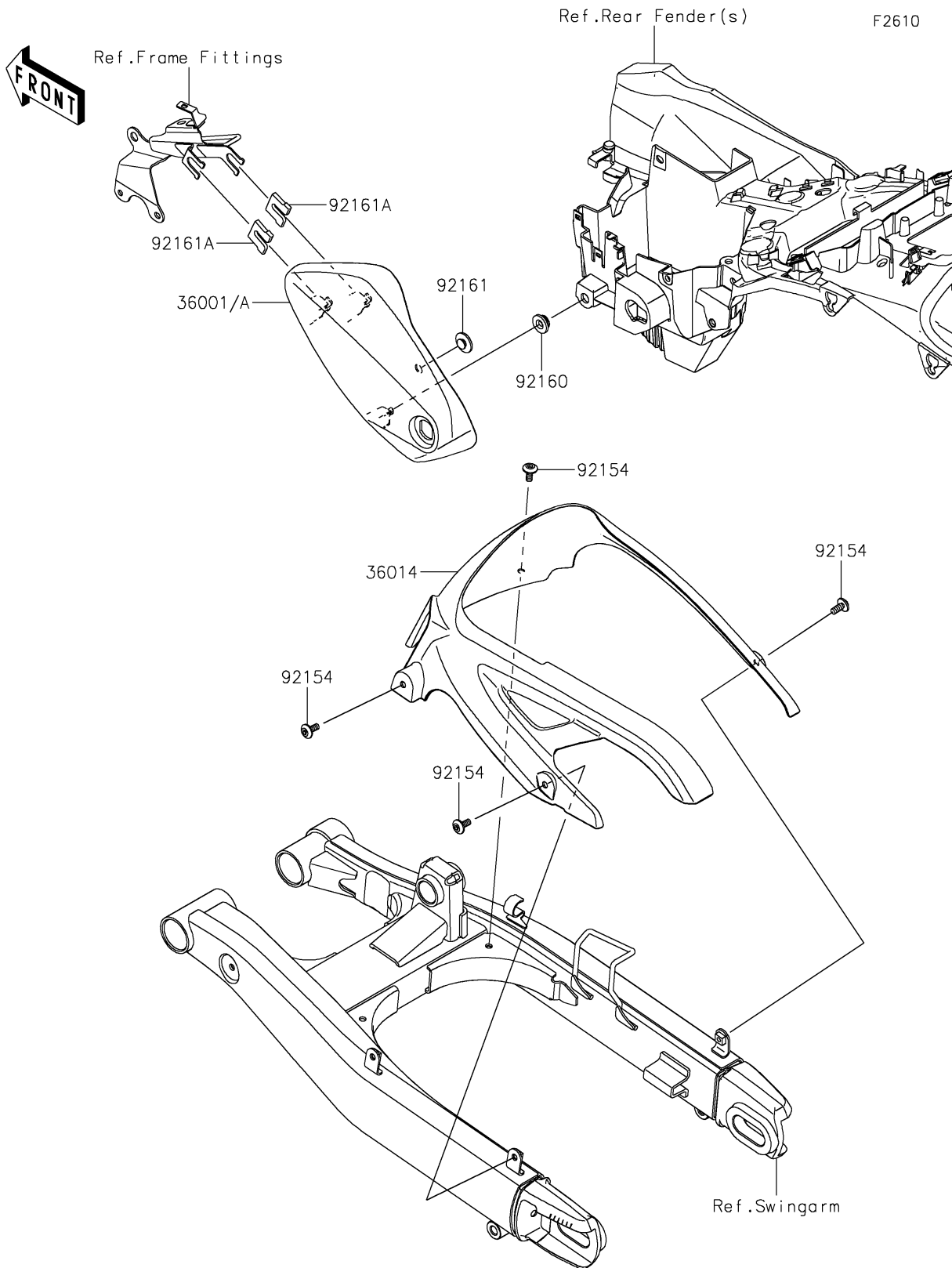


2017 Vulcan S

PARTS DIAGRAM

Side Covers/Chain Cover



2017 Vulcan S

PARTS LIST

Side Covers/Chain Cover

ITEM NAME

PART NUMBER

QUANTITY
