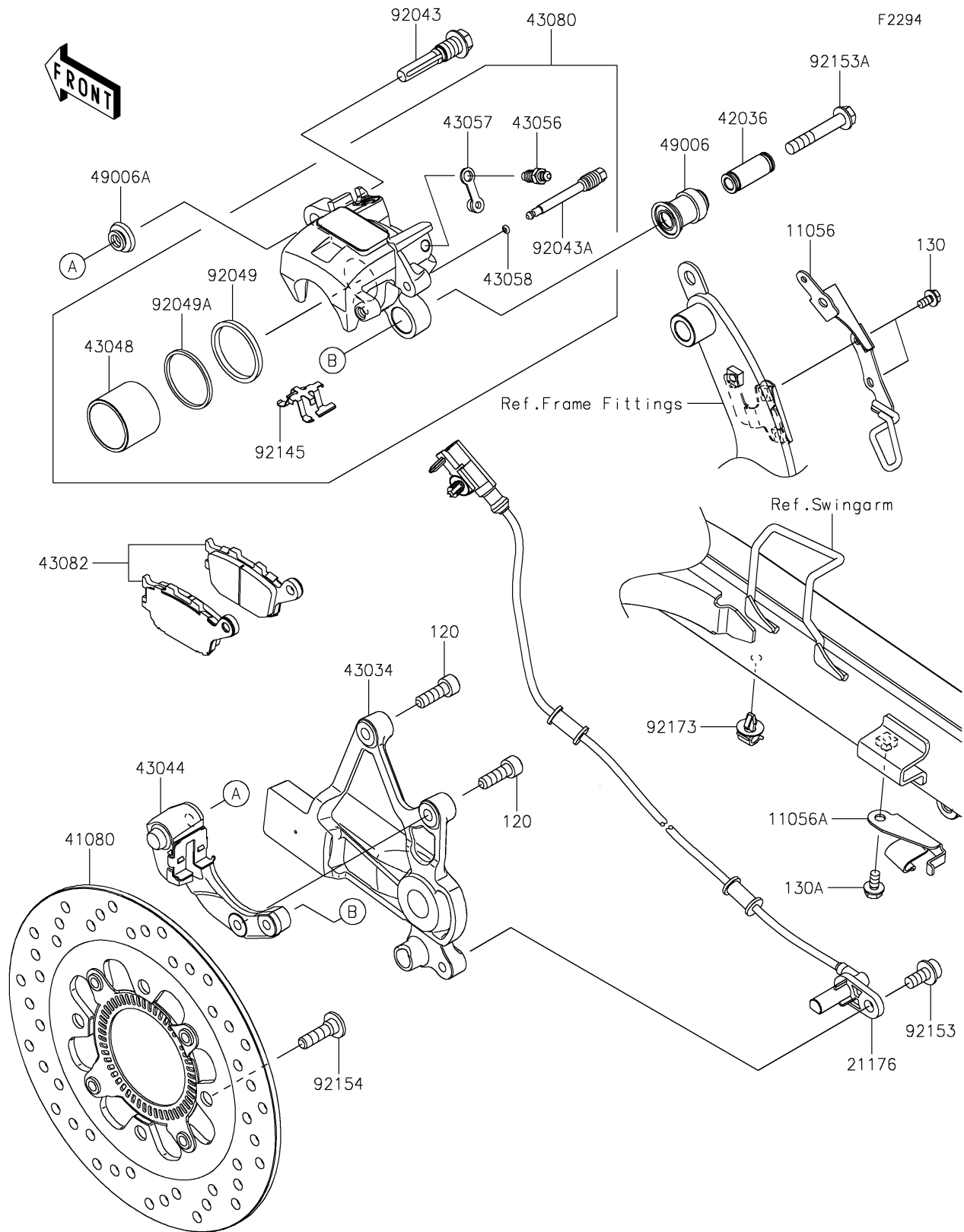


2019 VULCAN® S

PARTS DIAGRAM

Rear Brake



2019 VULCAN® S

PARTS LIST

Rear Brake

ITEM NAME

PART NUMBER

QUANTITY
