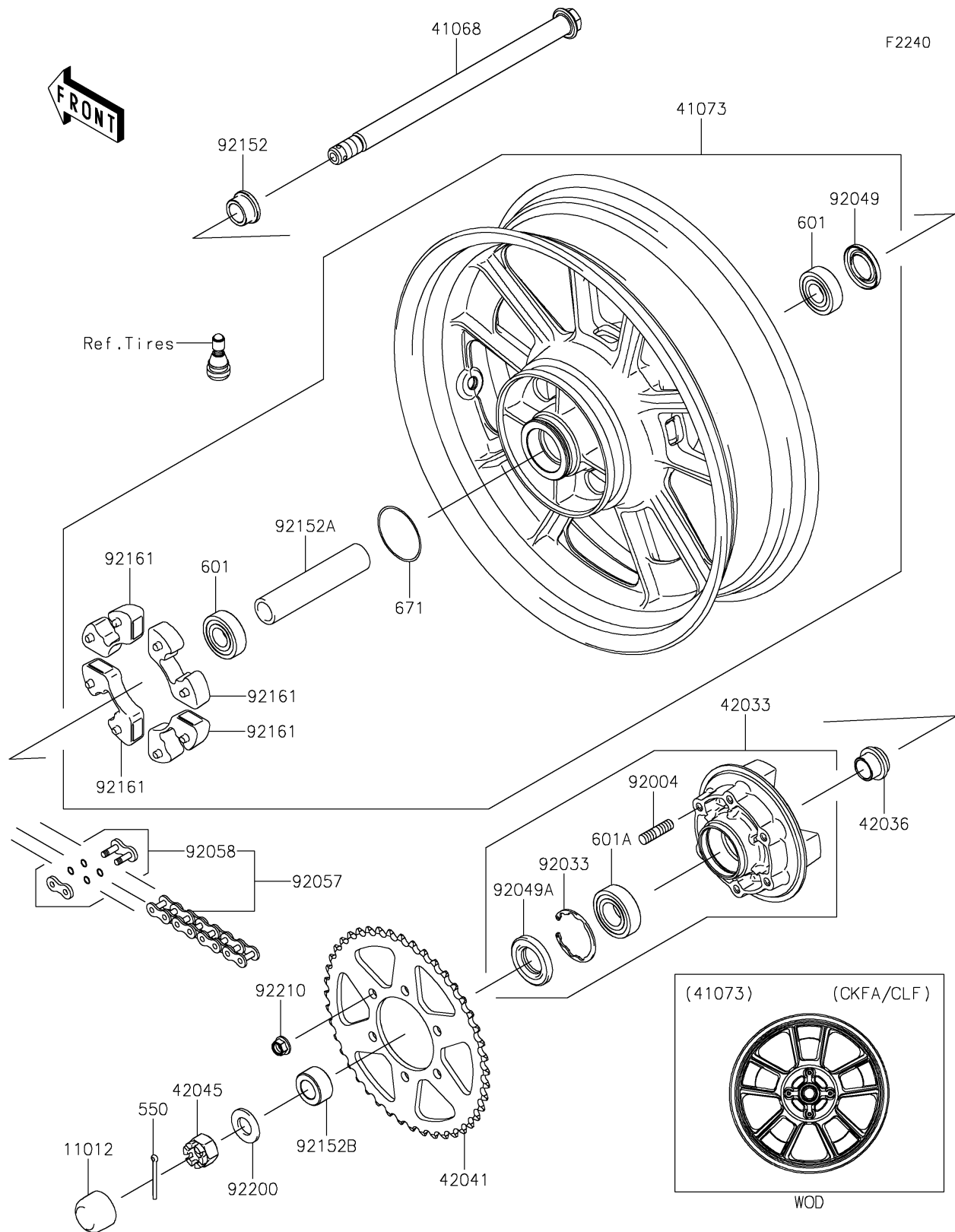


2017 Vulcan S

PARTS DIAGRAM

Rear Wheel/Chain



2017 Vulcan S

PARTS LIST

Rear Wheel/Chain

ITEM NAME

PART NUMBER

QUANTITY
