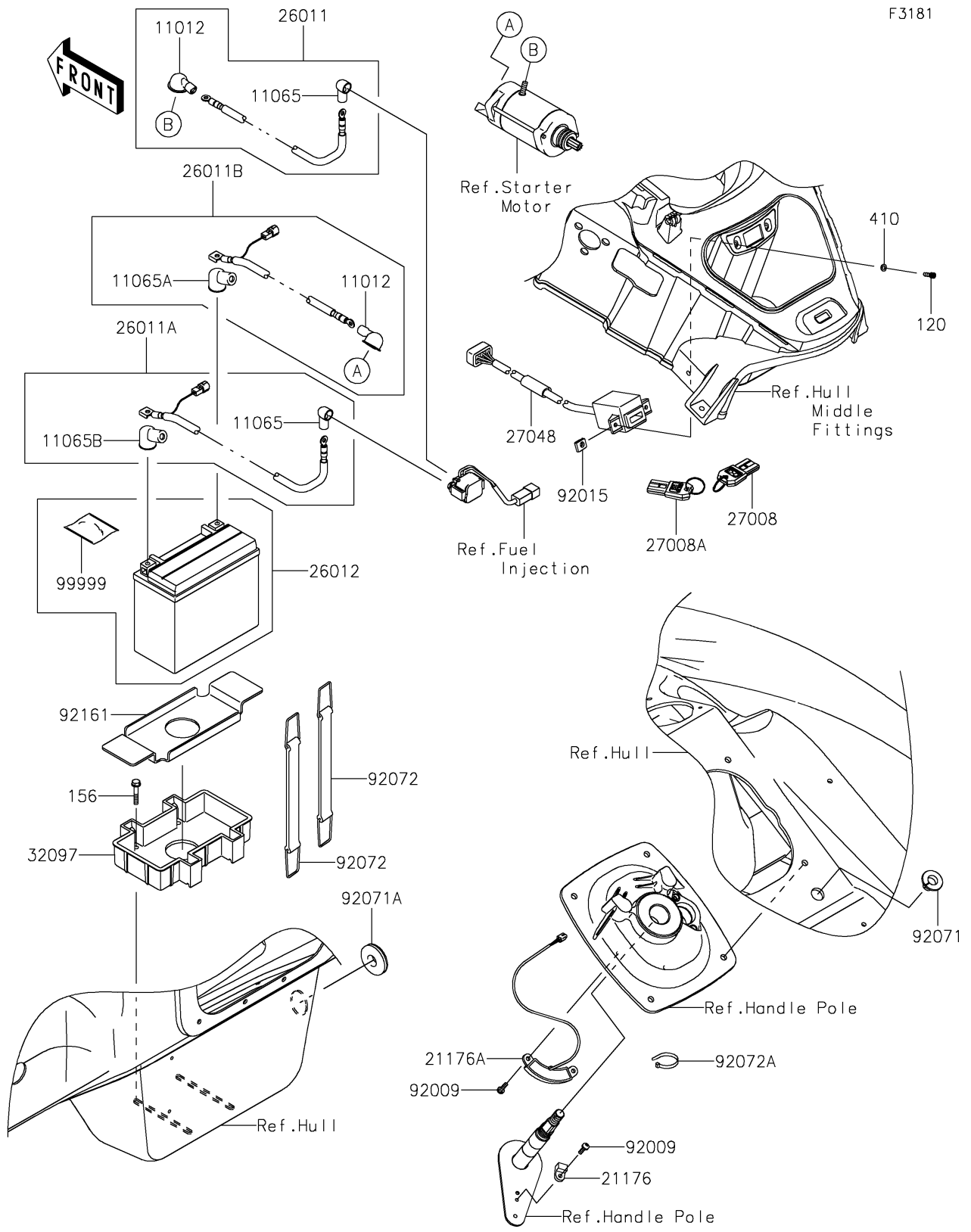


# 2017 JET SKI® ULTRA® LX

## PARTS DIAGRAM Electrical Equipment



# 2017 JET SKI® ULTRA® LX

## PARTS LIST

### Electrical Equipment

**ITEM NAME**

**PART NUMBER**

**QUANTITY**

---