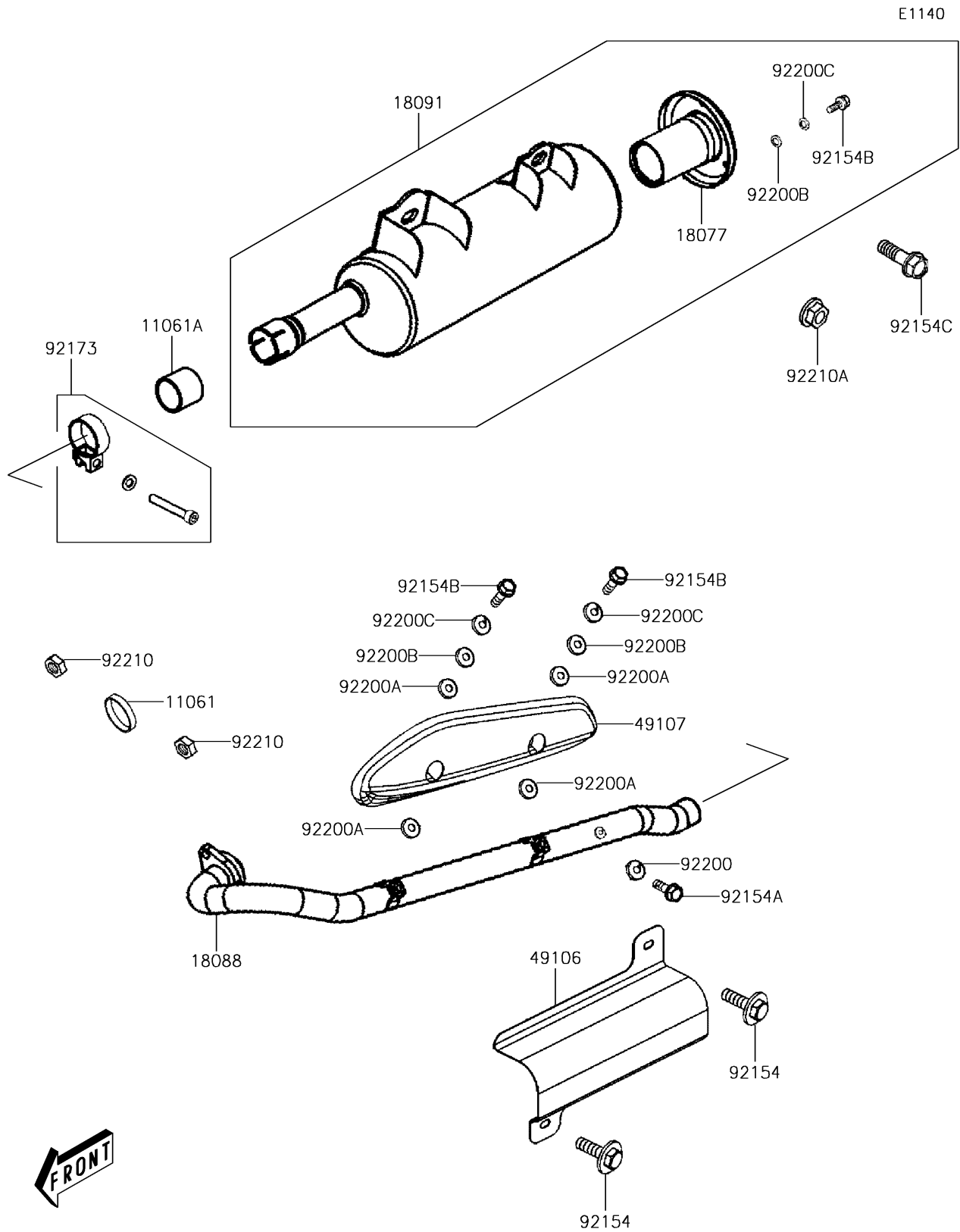


# 2017 BRUTE FORCE® 300

## PARTS DIAGRAM

### Muffler(s)



# 2017 BRUTE FORCE<sup>®</sup> 300

## PARTS LIST

Muffler(s)

**ITEM NAME**

**PART NUMBER**

**QUANTITY**

---