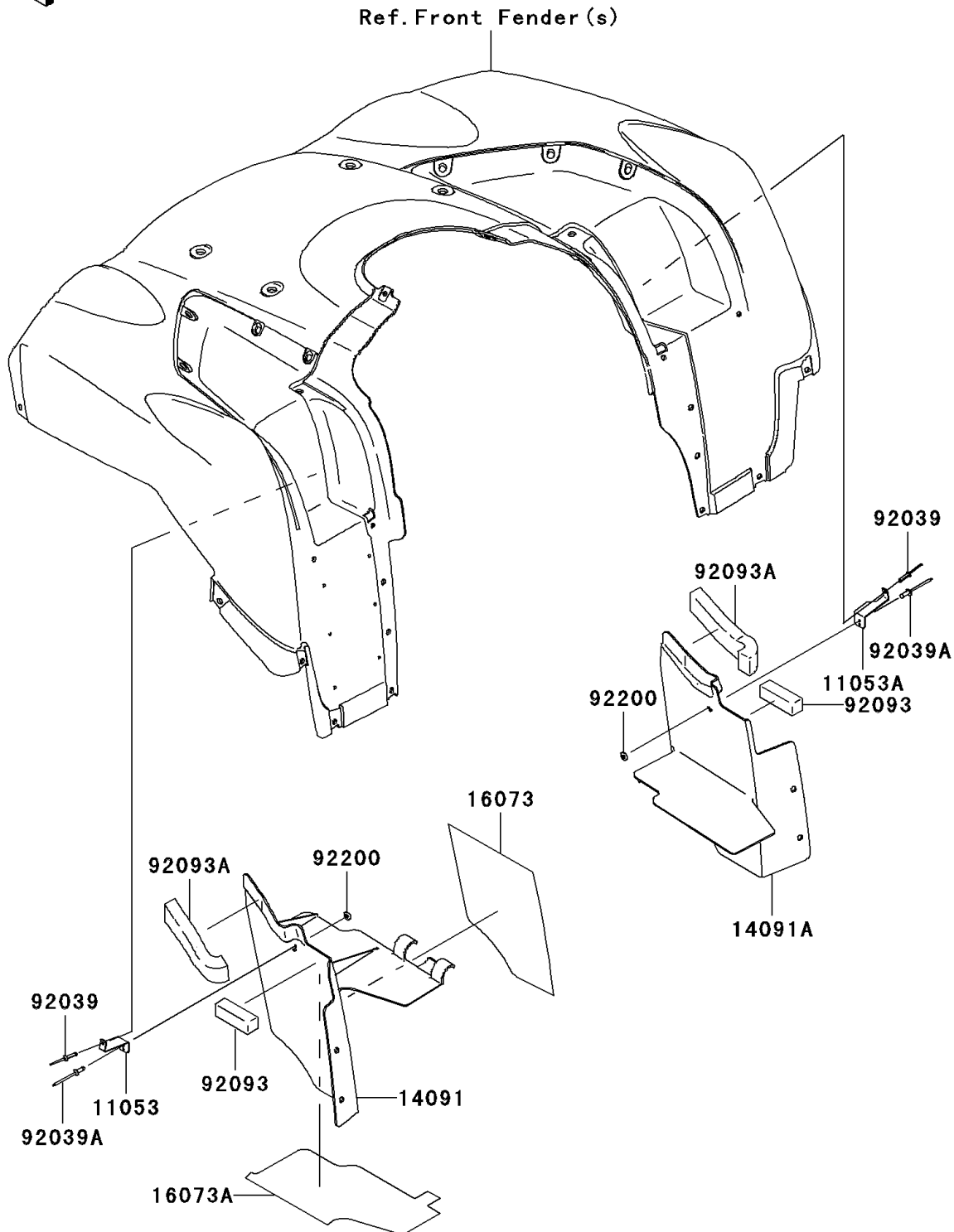


## PARTS DIAGRAM

### Flap

F2173



**PARTS LIST**  
Flap

ITEM NAME	PART NUMBER	QUANTITY
-----------	-------------	----------

---