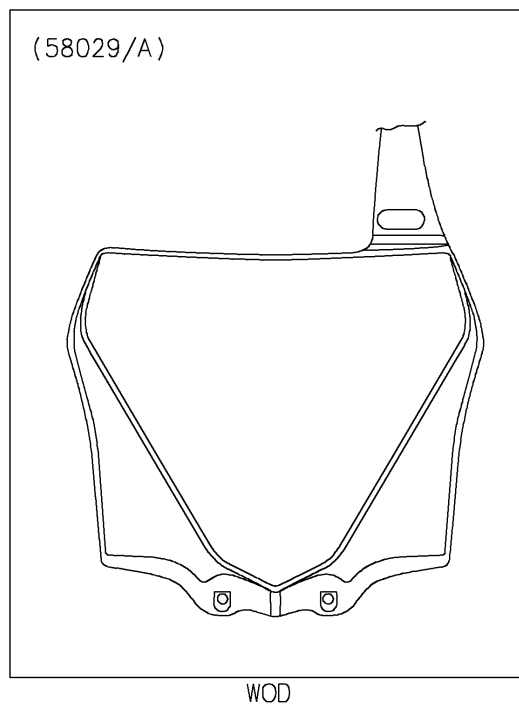
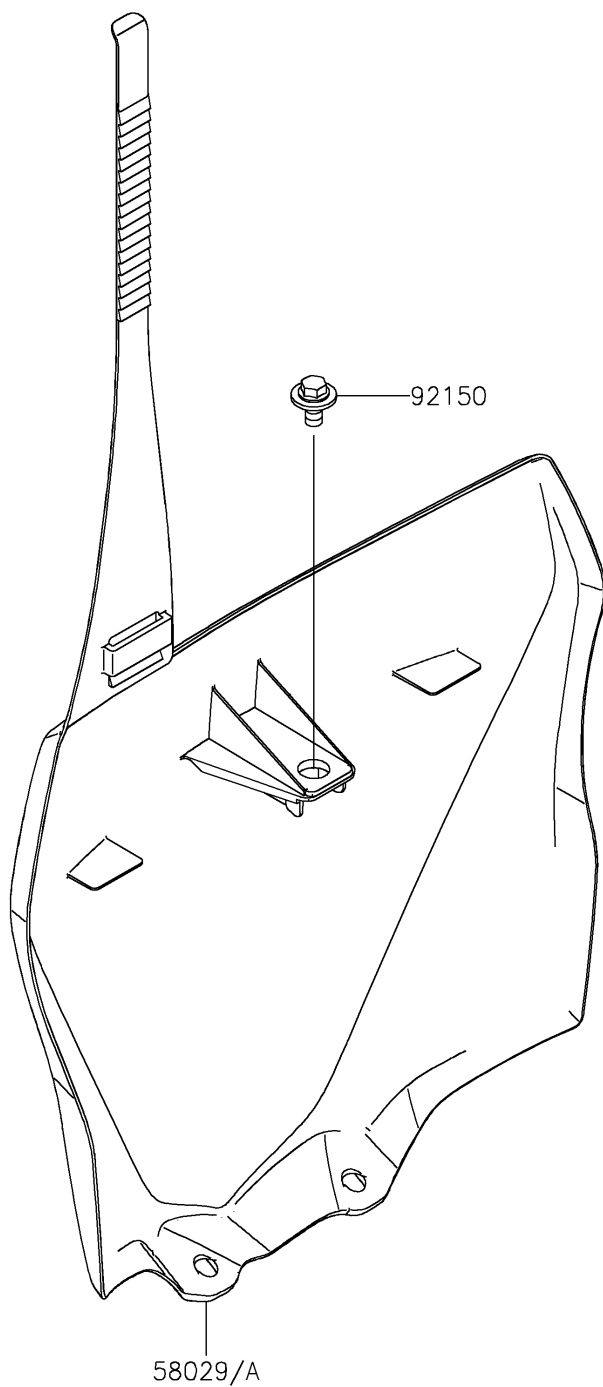


# 2019 KX™ 85

## PARTS DIAGRAM

### Accessory

F2910



# 2019 KX™ 85

## PARTS LIST

### Accessory

**ITEM NAME**

**PART NUMBER**

**QUANTITY**

---